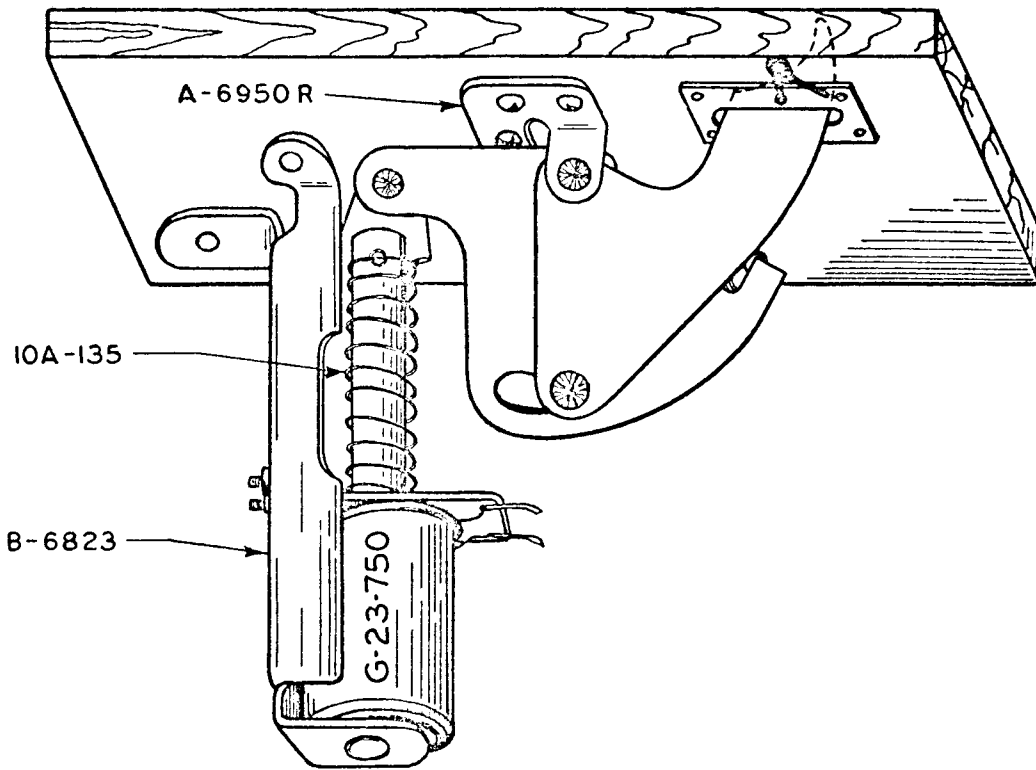


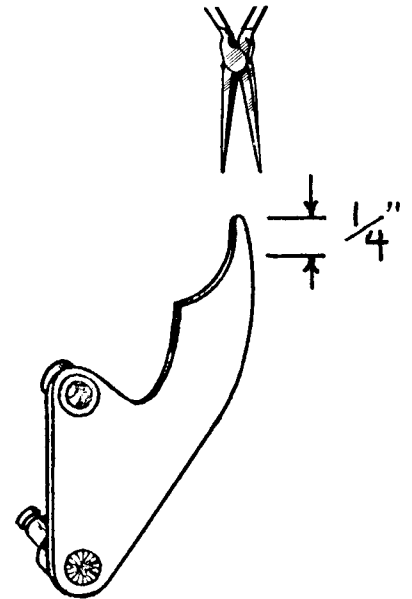
BALL EJECT CAM UNIT



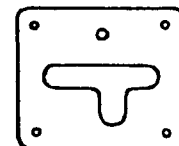
ADJUSTMENT

TO CHANGE DIRECTION OF BALL,
WHEN EJECTED, GRASP "BALL EJECT CAM"
WITH LONG-NOSED PLIERS (APPROXIMATELY
1/4") AND BEND SLIGHTLY.

BENDING TO THE LEFT WILL CHANGE
DIRECTION OF EJECTED BALL SLIGHTLY
TO THE RIGHT, AND VICE-VERSA.



CAUTION
IF BEND IS TOO GREAT, IT MAY
CAUSE A BIND WHEN "BALL EJECT CAM"
IS RESTING IN PART #3A-6015G-6.



3A-6015G-6