

CATALOG SUPPLEMENT "Y"

WITH
NEW PARTS & UNITS

FOR

DIPSY DOODLE



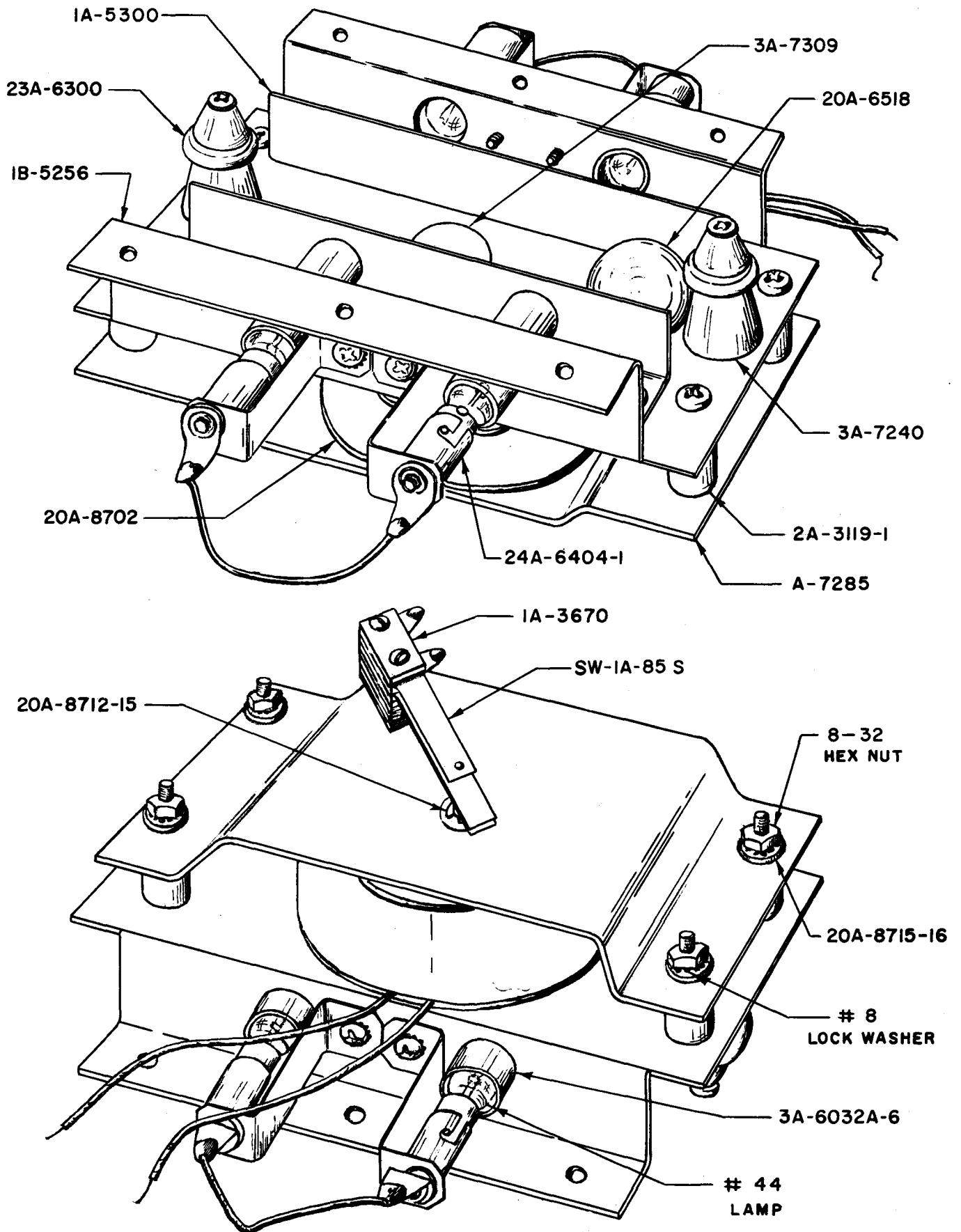
Williams[®] ELECTRONICS, INC.
SUBSIDIARY OF THE SEEBURG CORPORATION

3401 N. California Ave.
Phone 267-2240

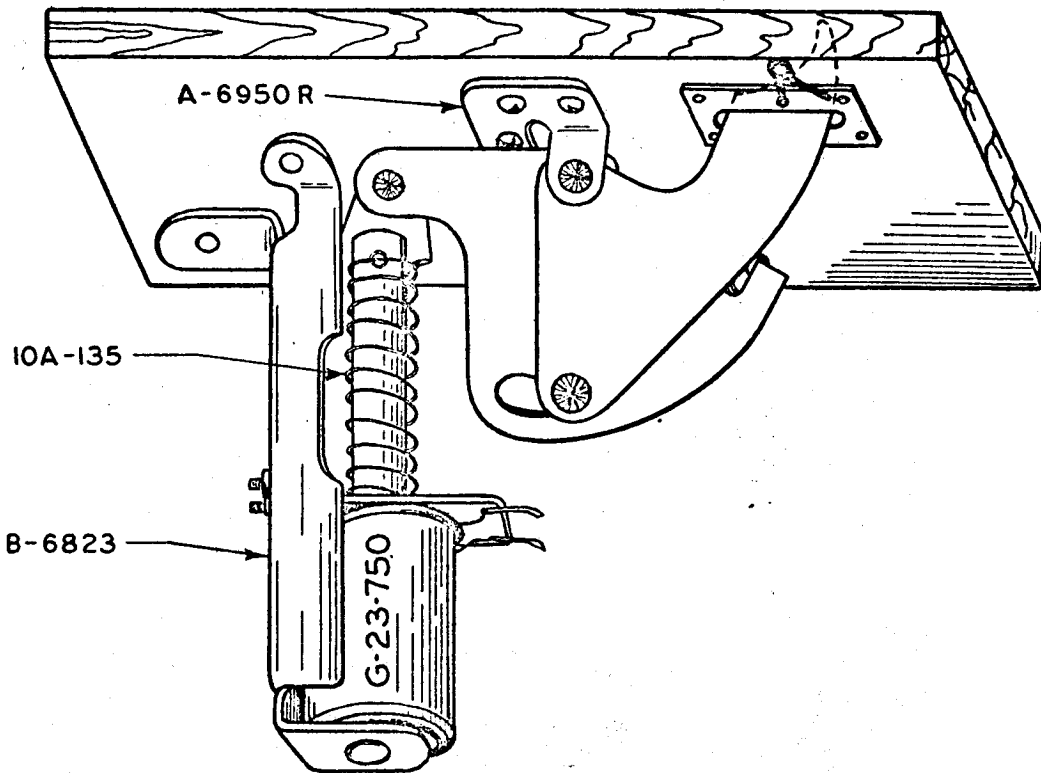
Chicago, Ill. 60618, U.S.A.
Cable Address: Wilcoin

C-7284 "DOODLE BUG" ASSEMBLY

USED ON "DIPSY DOODLE" AND "DOODLE BUG".



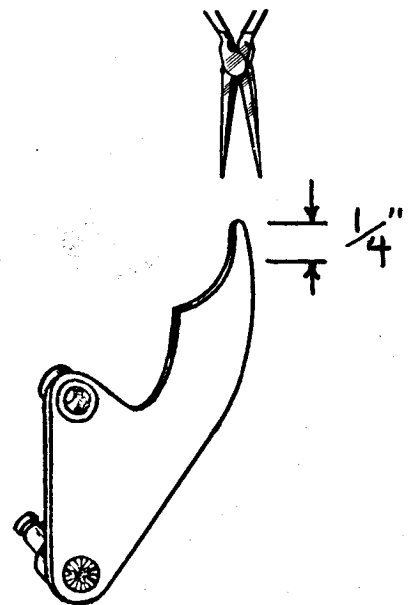
BALL EJECT CAM UNIT



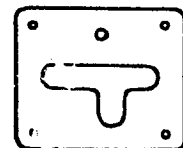
ADJUSTMENT

TO CHANGE DIRECTION OF BALL, WHEN EJECTED, GRASP "BALL EJECT CAM" WITH LONG-NOSED PLIERS (APPROXIMATELY 1/4") AND BEND SLIGHTLY.

BENDING TO THE LEFT WILL CHANGE DIRECTION OF EJECTED BALL SLIGHTLY TO THE RIGHT, AND VICE-VERSA.



CAUTION
IF BEND IS TOO GREAT. IT MAY CAUSE A BIND WHEN "BALL EJECT CAM" IS RESTING IN PART #2A-6015G-6.



3A-6015G-6

PRICE LIST

<u>PART NO.</u>	<u>DESCRIPTION</u>	<u>PRICE</u>
1A-3670	Switch Cover Plate04
1B-5256	Frame-Adder Upper	7.98
1A-5300	Ball Guide52
2A-3119-1	Spacer	1.52
3A-6032-6	Light Cap Yellow64
3A-7240-4	Playfield Post12
3A-7309-5	Rollover Button (White)38
20A-6518	Steel Ball 7/8" Dia.54
20A-8702	Magnet Coil	6.16
20A-8712-15	"E" Retaining ring02
23A-6300	Rubber Ring 5/16 I.D.06
24A-6404-1	Light Socket16
24A-6549	#44 Lamp16
C-7284	Adder Upper Assembly Complete	30.70
A-7285	Magnet Bracket	1.64
Sw. 1A-85-S	Rollover Switch44