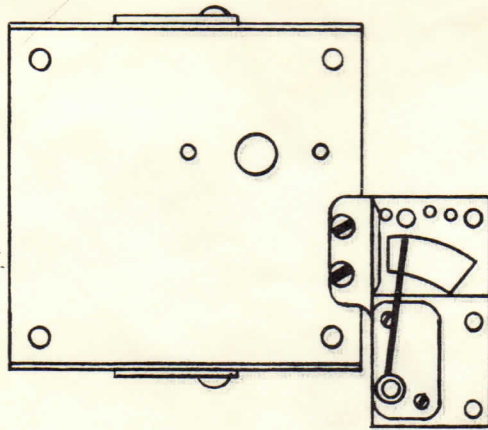
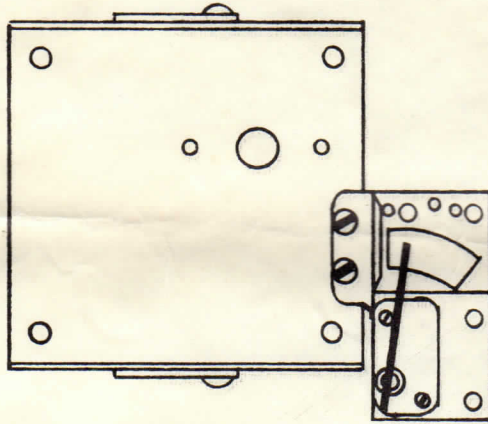


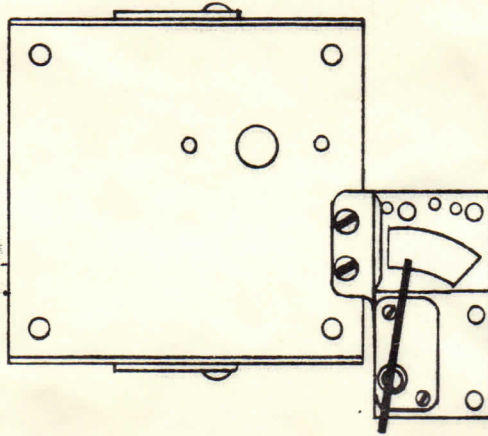
# SLUG REJECTOR ADJUSTMENT



Coin Switch Bracket  
10c Play



Coin Switch Bracket  
5c Play



Coin Switch Bracket  
25c Play



Enlarged view of Coin Wire

**NOTE:** When making change from one denomination to another:

Loosen **SPEED NUT** & slide wire to desired notch as indicated above.

After change has been made, press **SPEED NUT** down to tighten.

Make certain proper National Slug Rejector & Coin Entry is installed.