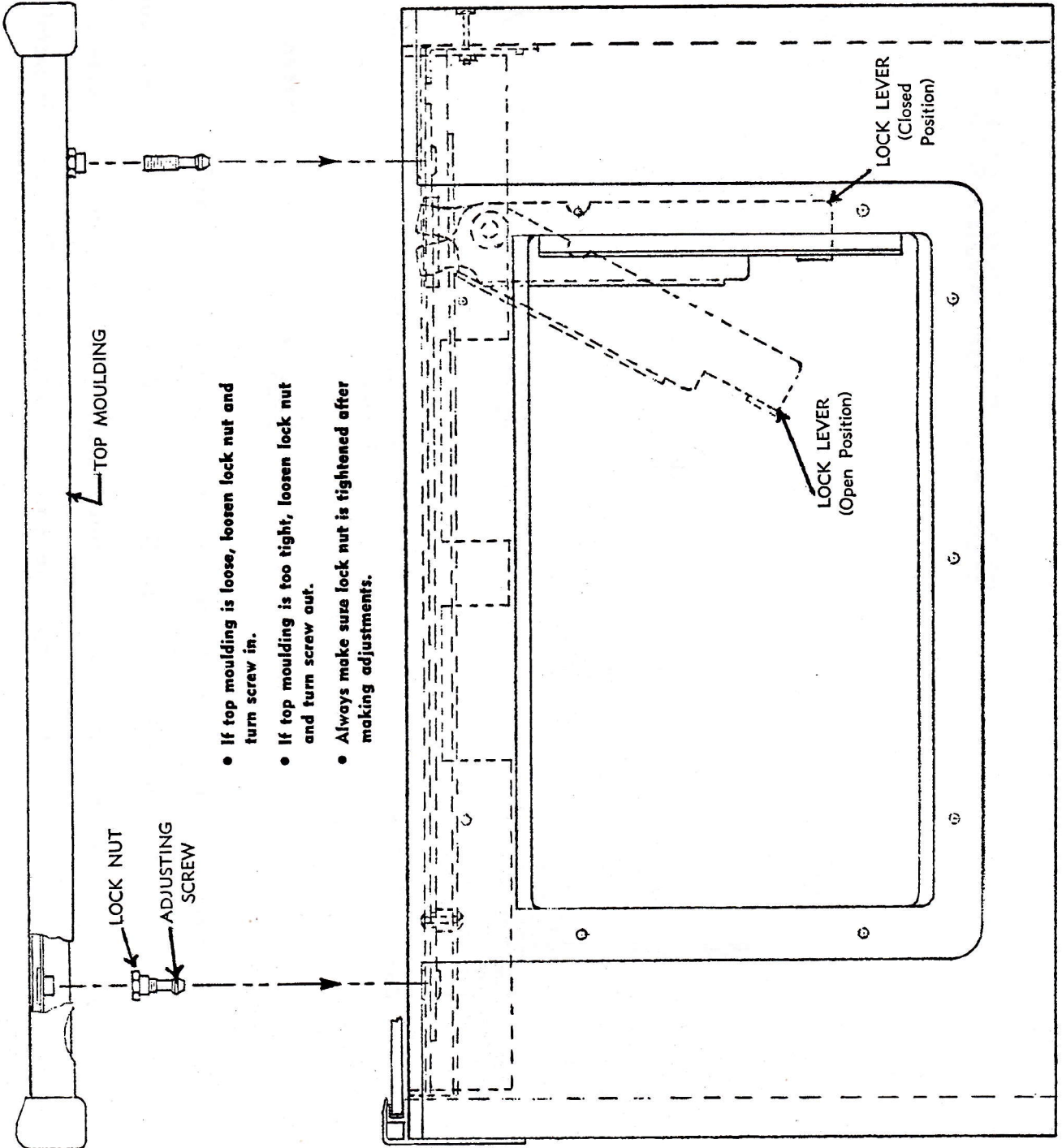


THIS GAME IS EQUIPPED WITH THE NEW PUSH-PULL FRONT Moulding Locking Unit



- If top moulding is loose, loosen lock nut and turn screw in.
- If top moulding is too tight, loosen lock nut and turn screw out.
- Always make sure lock nut is tightened after making adjustments.

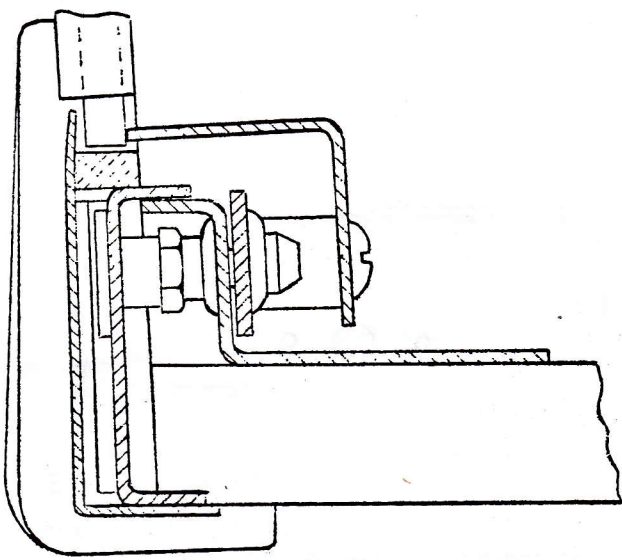
INSTRUCTIONS

TO REMOVE TOP Moulding

- Open front door of cabinet and pull lock lever to open position.
- Grasp ends and lift top moulding from cabinet.

TO REPLACE TOP Moulding

- Make certain lock lever is in open position.
- Align screws with corresponding holes. **DO NOT FORCE LOCK LEVER**
- Make sure that top moulding is fully seated before attempting to lock.



CROSS SECTION VIEW SHOWING TOP Moulding IN SEATED POSITION.