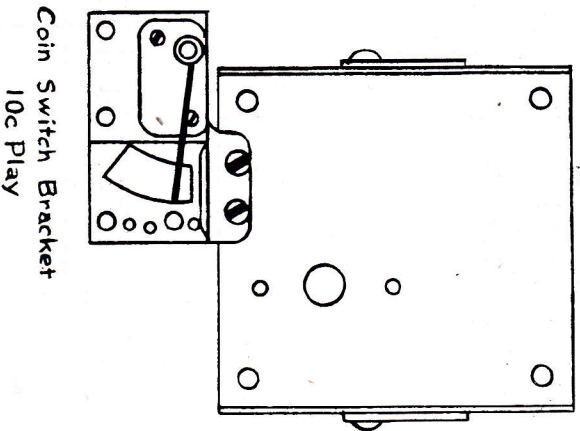
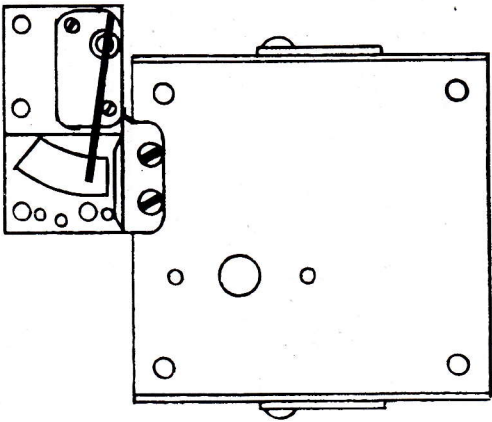


SLUG REJECTOR ADJUSTMENT



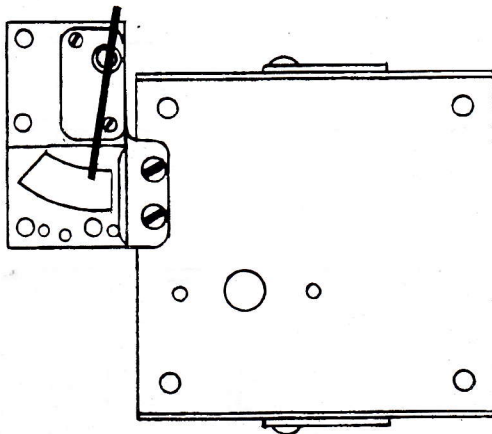
Coin Switch Bracket
10c Play



Coin Switch Bracket
5c Play



Enlarged view of Coin Wire



Coin Switch Bracket
25c Play

NOTE: When making change from one denomination to another:

Loosen **SPEED NUT** & slide wire to desired notch as indicated above.

After change has been made, press **SPEED NUT** down to tighten.

Make certain proper National Slug Rejector & Coin Entry is installed.