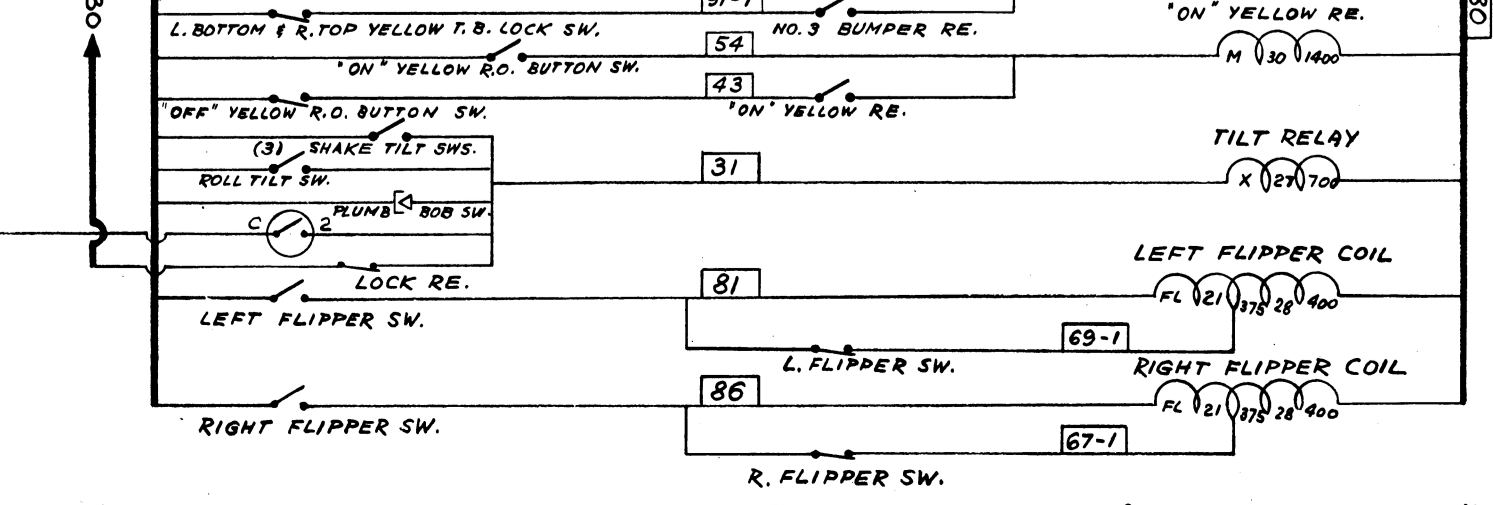
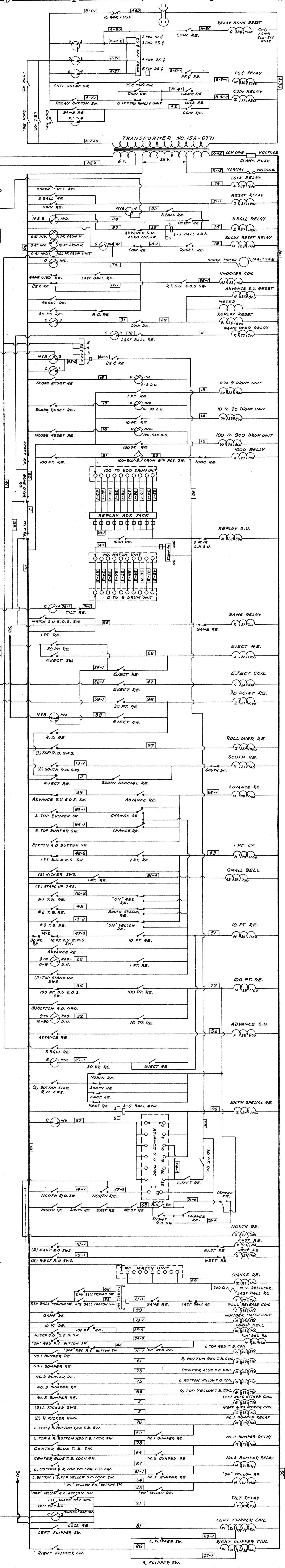
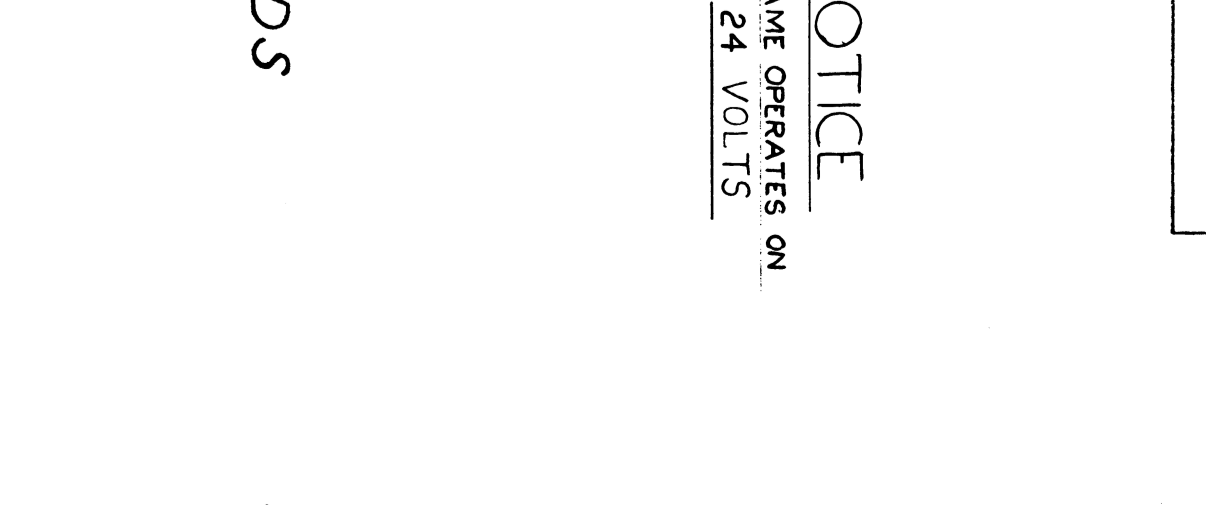
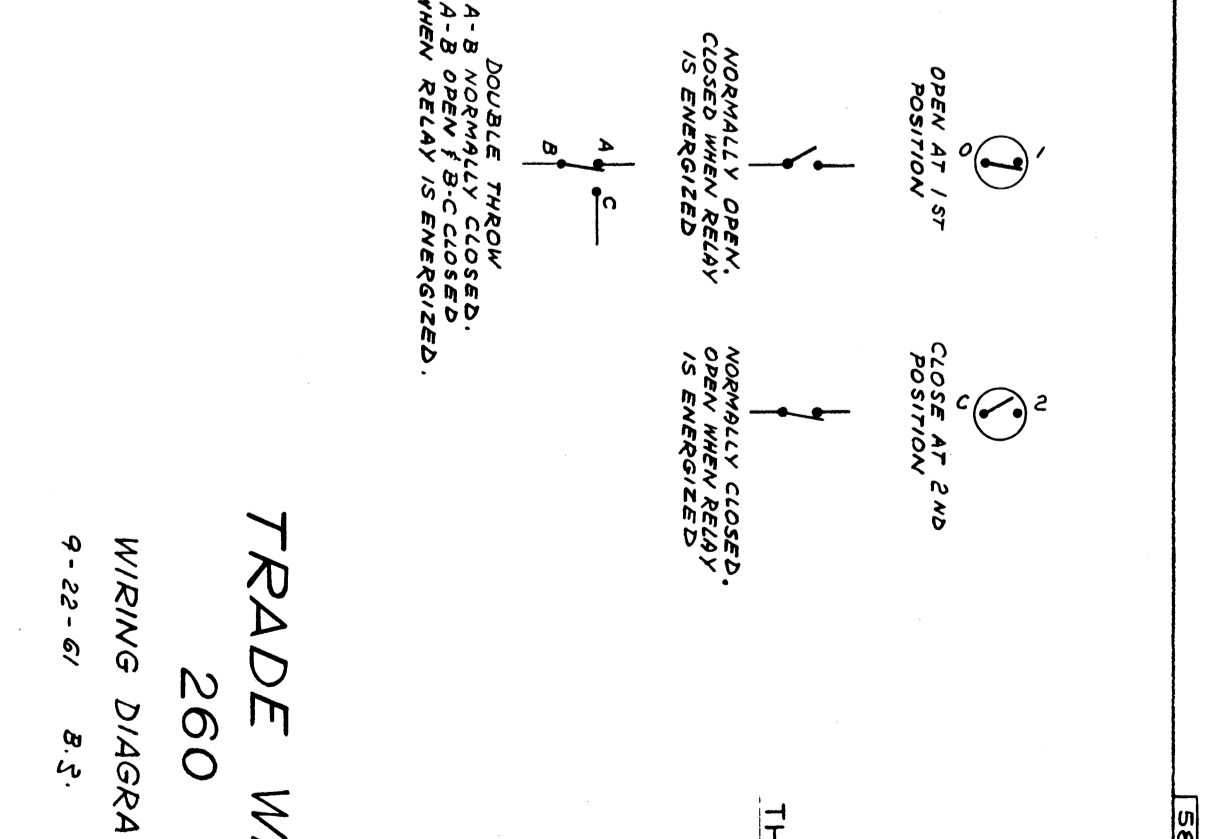
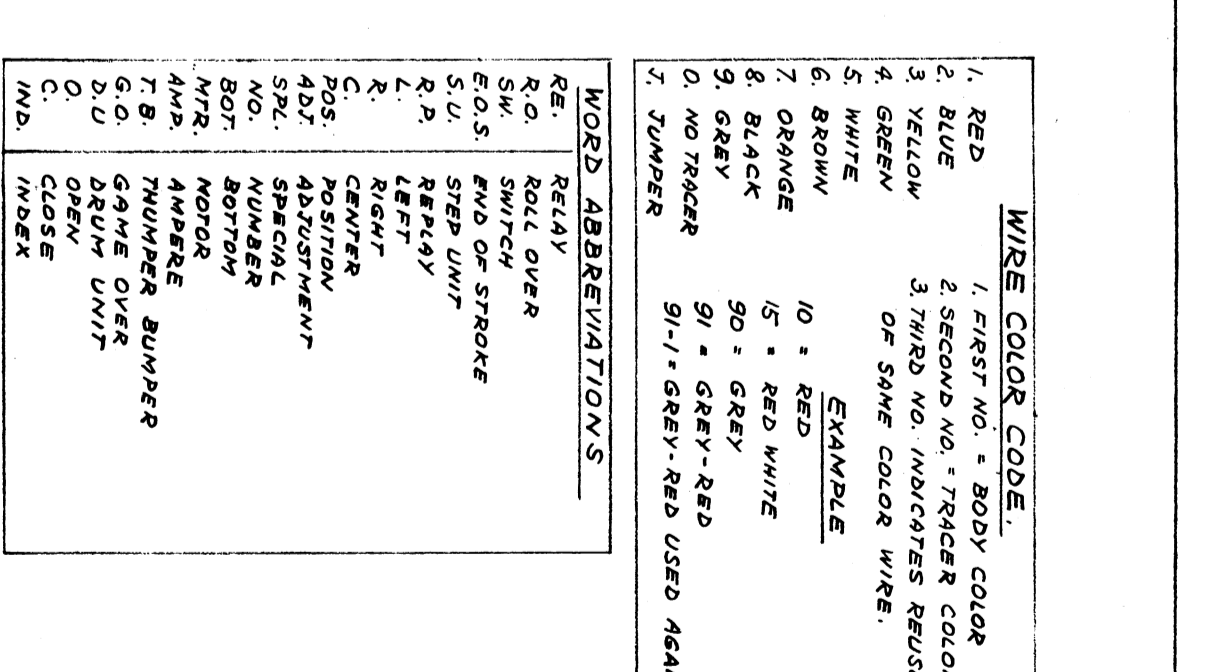
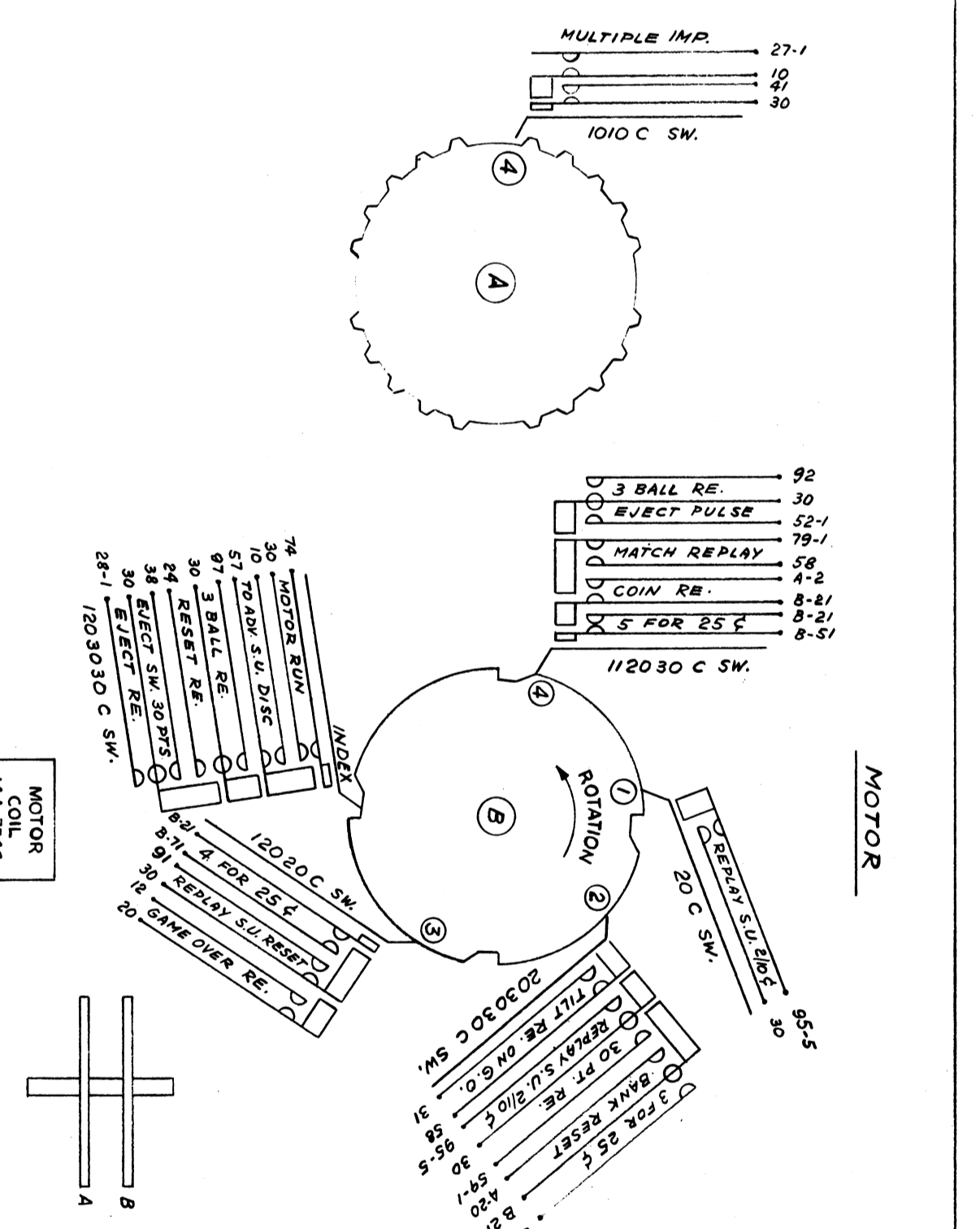
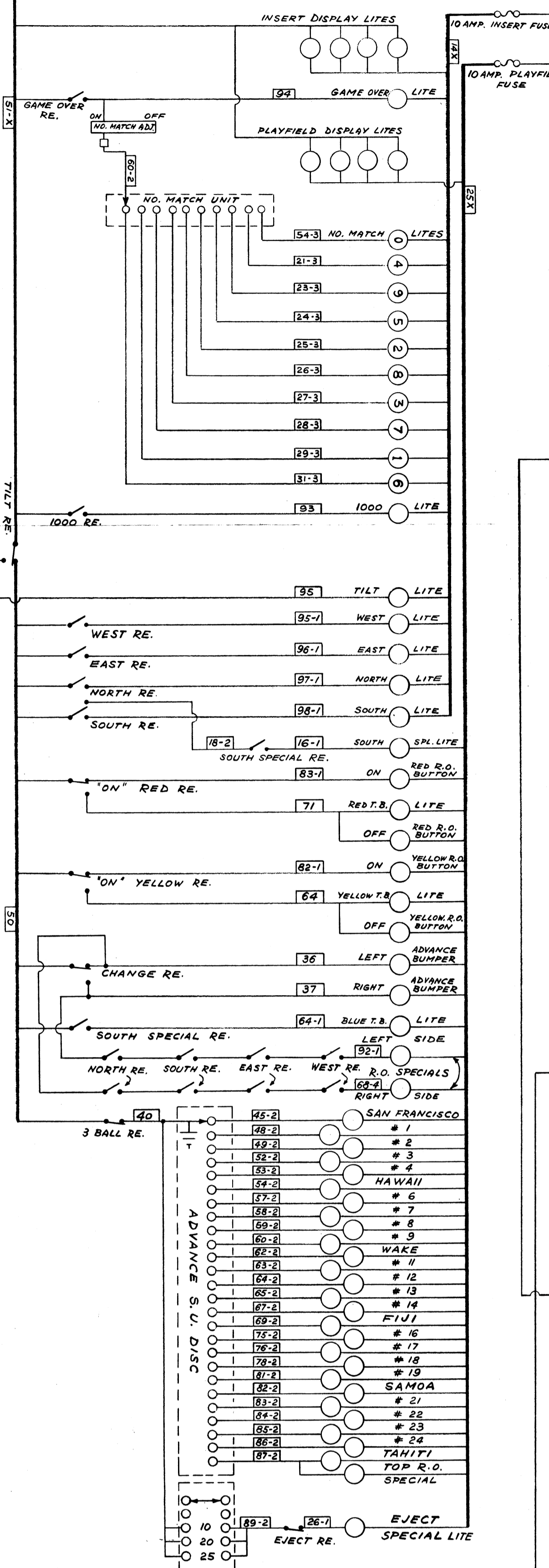


TRADE WINDS

260



1. RED
2. BLUE
3. YELLOW
4. GREEN
5. WHITE
6. BROWN
7. ORANGE
8. BLACK
9. NO TRACER
10. JUMPER

1. FIRST NO. - BODY COLOR
2. SECOND NO. - TRACER COLOR
3. THIRD NO. - INDICATES REUSE OF SAME COLOR WIRE

EXAMPLE
10 - 1 - RED WHITE
90 - 1 - GREY
91 - 1 - GREY-RED USED AGAIN

NOTICE
THIS GAME OPERATES ON 24 VOLTS

DOUBLE THROU
A-B OPEN, C-C CLOSED
A-B OPEN, B-C CLOSED
WHEN RELAY IS ENERGIZED

NORMALLY OPEN
CLOSURE WHEN RELAY
IS ENERGIZED

NORMALLY CLOSED
OPEN WHEN RELAY
IS ENERGIZED

WIRING DIAGRAM
260
9-22-67 B.S.