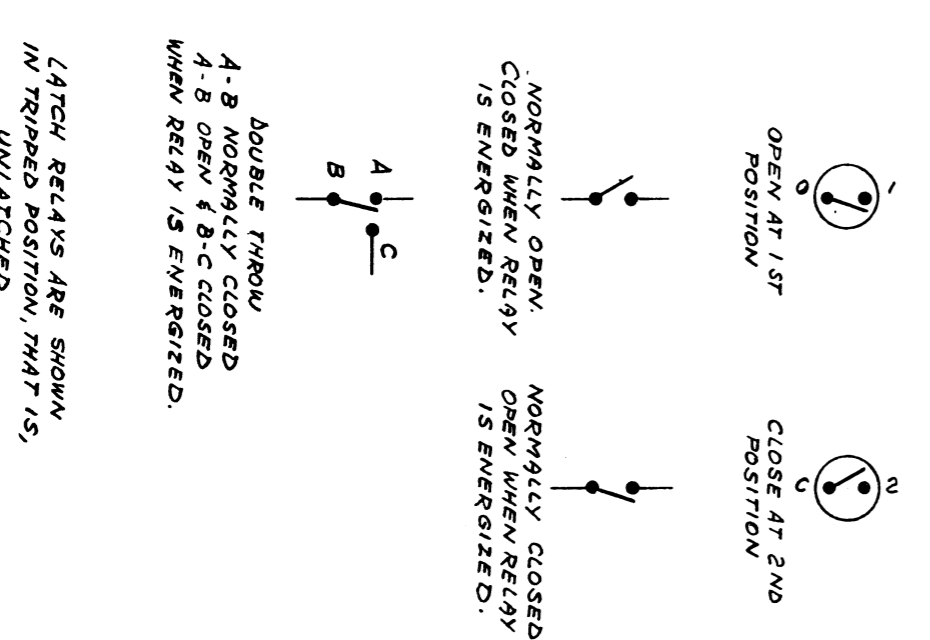
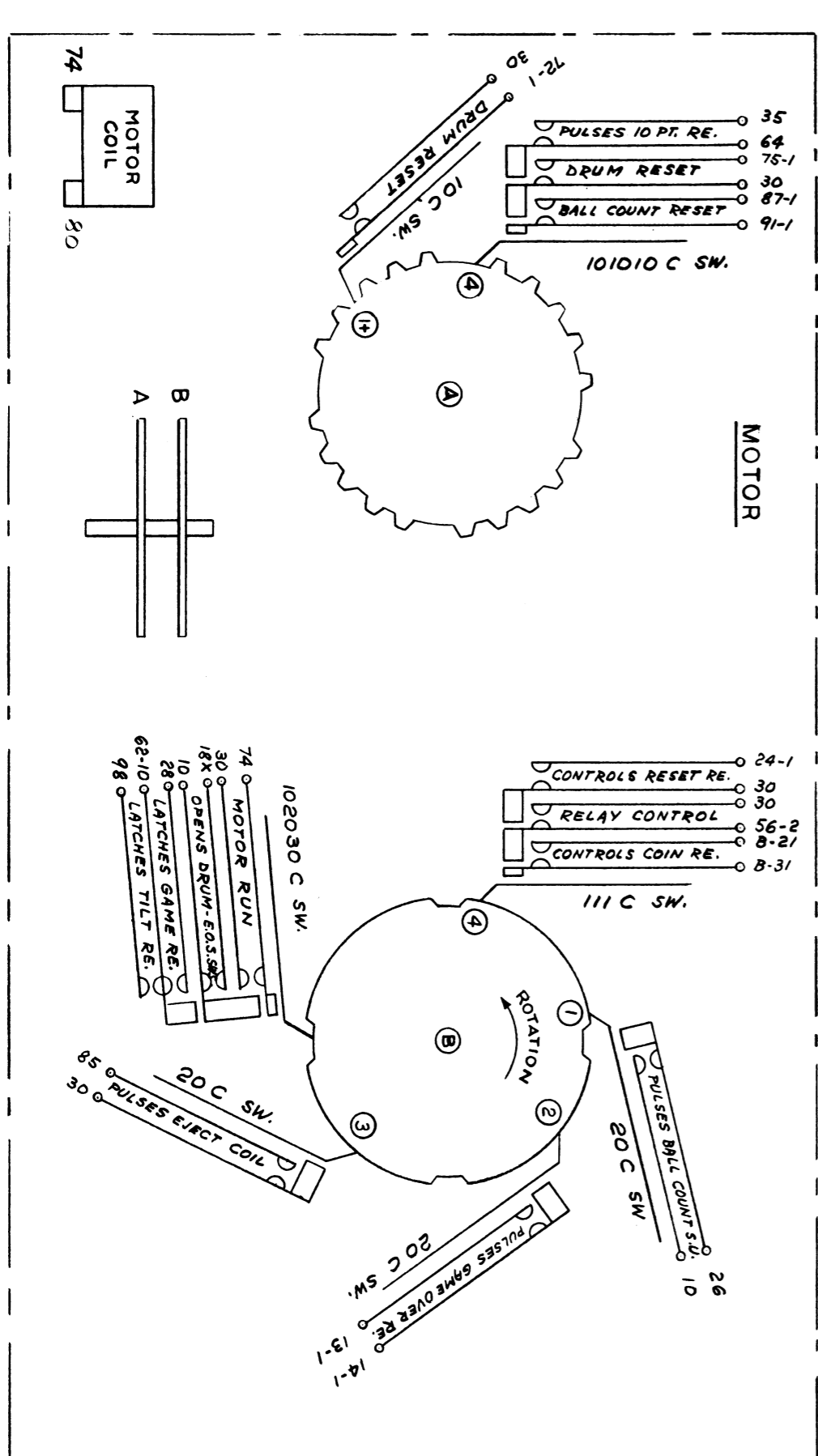
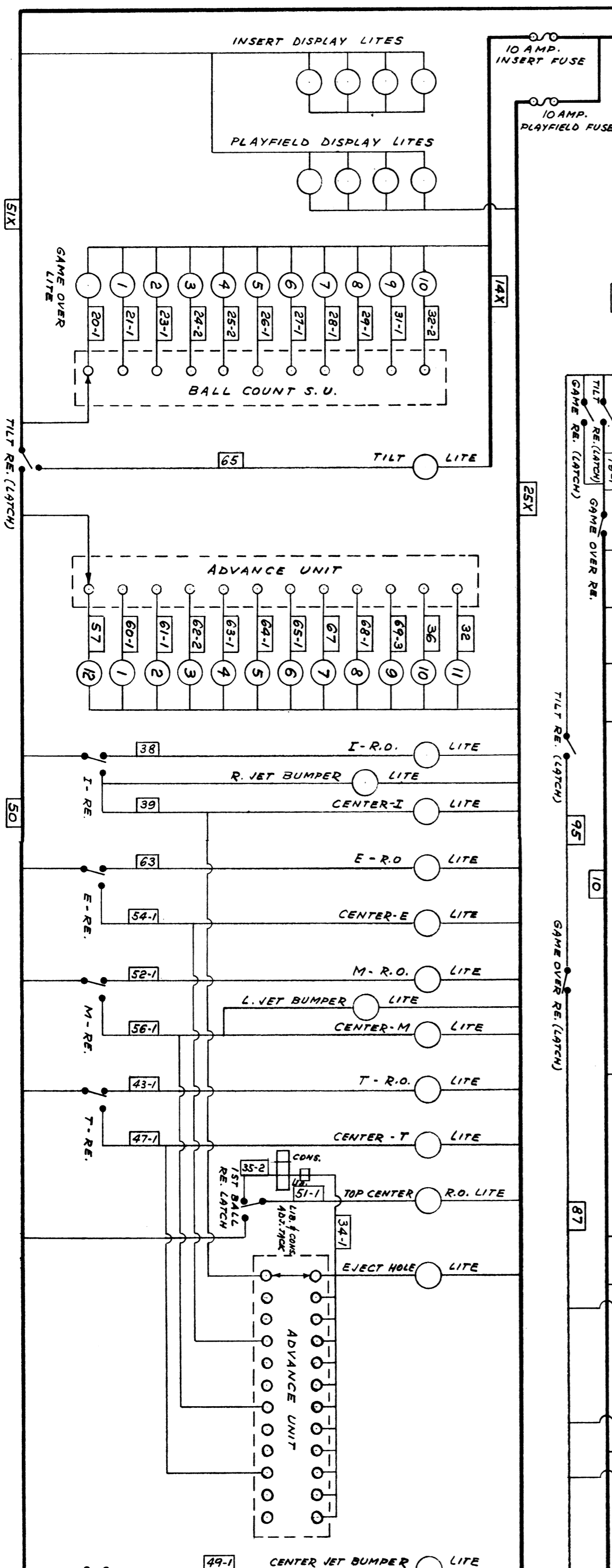
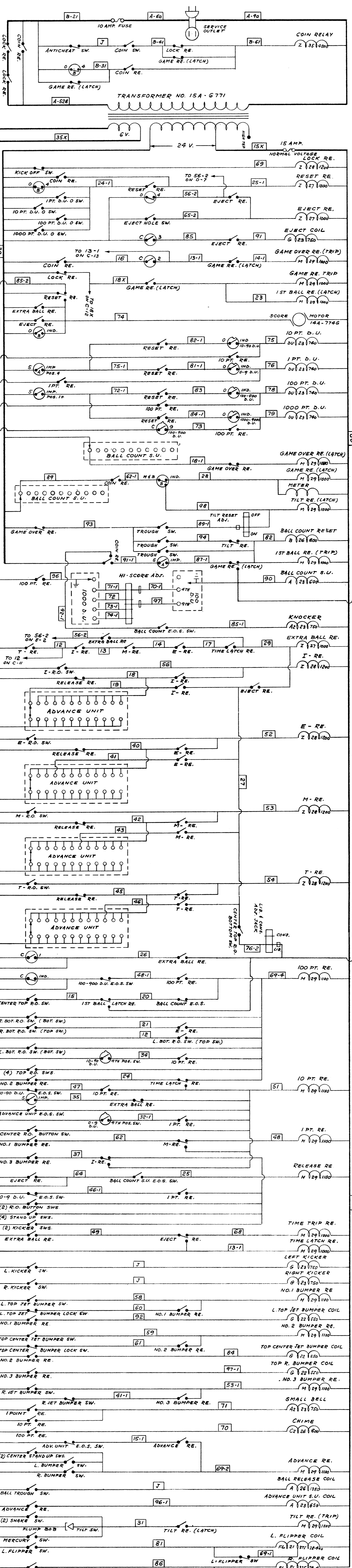


# SWING TIME

## 282



WORD ABBREVIATIONS:
RE. RELAY
R.O. ROLL OVER
SW. SWITCH
E.O.S. END OF STROKE
S.U. STEP UNIT
R.P. RELAY
L. LEFT
R. RIGHT
ADV. ADVANCE
NO.1. NO.1
NO.2. NO.2
NO.3. NO.3
PT. POINT
D.U. DRUM UNIT
C. CLOSE
IND. INBOX

WIRE COLOR CODE:
1. RED
2. BLUE
3. YELLOW
4. GREEN
5. WHITE
6. BROWN
7. ORANGE
8. BLACK
9. GREY
0. NO TRACER
1. TRACER

1. FIRST NO. BODY COLOR  
2. SECOND NO. TRACER COLOR  
3. THIRD NO. INDICATES ROUTE OF SAME COLOR WIRE.  
EXAMPLE:  
10 = RED WHITE  
40 = RED GREY  
91 = GREY-RED USED AGAIN

# SWING TIME

## 282

2  
3  
4  
5  
6  
7  
8  
9  
10  
11  
12  
13  
14  
15  
16  
17  
18