

# INSTRUCTIONS FOR ALTERING COIN CHUTES EQUIPPED WITH A FLIP-OVER DEVICE.

FOR 1 COIN - FOR 1 PLAY

OR

2 COINS - FOR 1 PLAY

FIGURE 1

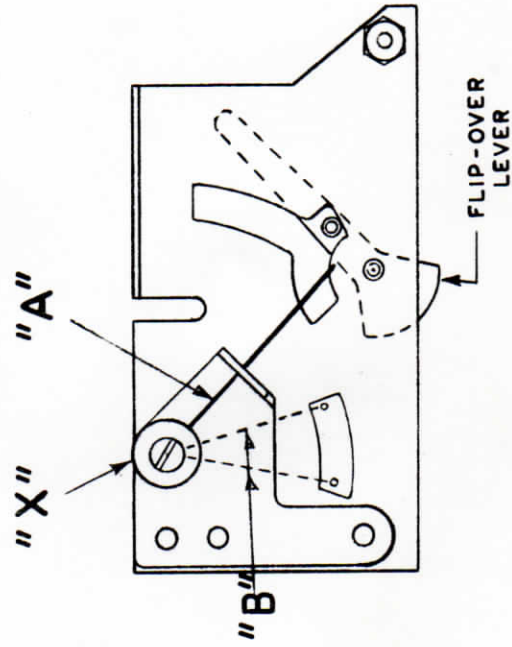
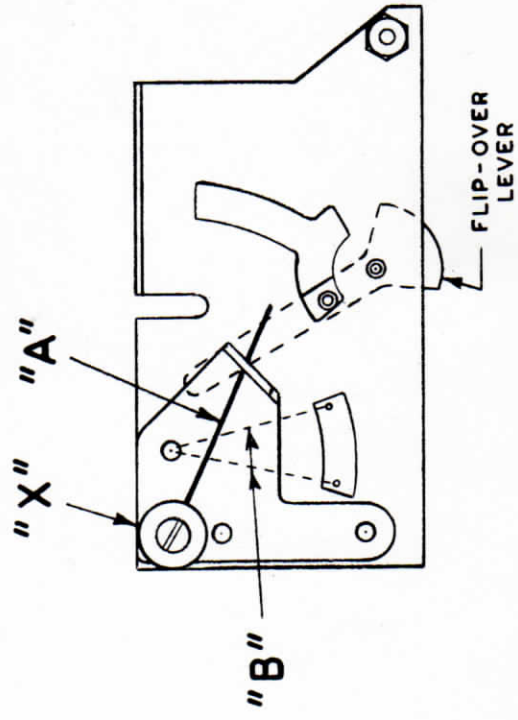


FIGURE 2



## 1 COIN - FOR 1 PLAY (FIGURE 1) :

WIRE FORM "A" SHOULD BE IN POSITION AS SHOWN IN FIGURE 1. FLIP-OVER LEVER SHOULD REBOUND FROM WIRE FORM "A" AND RETURN TO POSITION SHOWN IN FIGURE 1 EVERYTIME A COIN IS INSERTED. ALL COINS PASS OVER THE COIN TRIP SWITCH WIRE "B".

## 2 COINS - FOR 1 PLAY (FIGURE 2) :

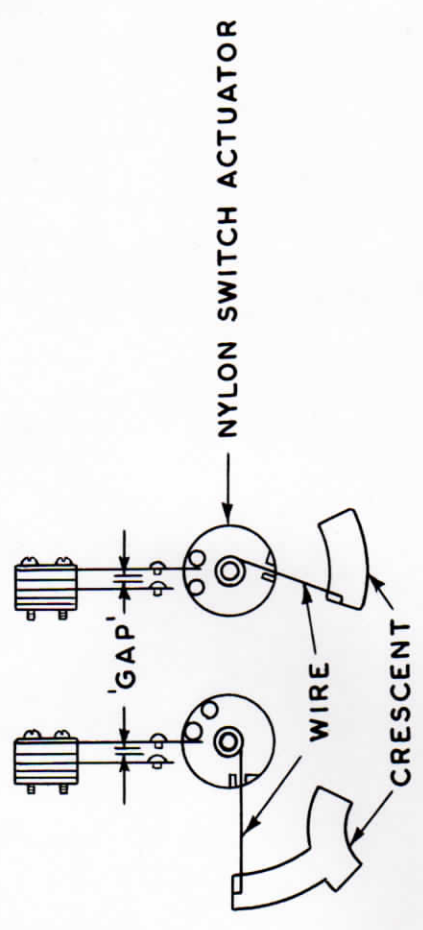
WIRE FORM "A" SHOULD BE IN POSITION AS SHOWN IN FIGURE 2 (SEE NOTE). FLIP-OVER LEVER SHOULD ALTERNATE FROM SIDE TO SIDE. 1ST COIN SHOULD GO TO CASH BOX WITHOUT ACTUATING COIN TRIP SWITCH WIRE "B", 2ND COIN SHOULD PASS THE COIN TRIP SWITCH WIRE "B" AND RETURNS FLIP-OVER TO POSITION AS SHOWN IN FIGURE 2.

### NOTE :

TO CHANGE FROM 1 COIN PLAY TO 2 COIN PLAY OR VICE VERSA - LOOSEN SCREW "X" AND MOVE SCREW, BUSHING & WIRE FORM "A" TO POSITION AS REQUIRED - SHOWN IN FIGURE 1 OR FIGURE 2.  
WHEN USING 1 COIN FOR 1 PLAY, WIRE FORM "A" SHOULD NOT UNDER ANY CIRCUMSTANCES BE ALLOWED TO ENTER THE "BANANA" SLOT AND CAUSE BINDING OF FLIP-OVER LEVER.

# INSTRUCTIONS FOR COIN TRIP SWITCH ADJUSTMENT

WIRE SHOULD BE IN CONTACT WITH END OF CRESCENT OPENING WHEN BLADE ADJUSTMENT IS MADE.



LONG BLADE SHOULD BE IN CONTACT WITH NYLON SWITCH ACTUATOR AND HAVE A MAXIMUM OVERTRAVEL OF 1/32

OR

USING A GRAM GAUGE, TENSION OF LONG BLADE SHOULD NOT EXCEED 10 GRAMS.

### SWITCH ADJUSTMENT

1. FOR SMALL COINS, SUCH AS DIMES, ADJUST SHORT BLADE SO THAT THE 'GAP' BETWEEN THE SILVER CONTACTS IS .045 TO .055.
2. FOR LARGER & HEAVIER COINS THE 'GAP' SHOULD BE .045 TO .060.
3. DO NOT ADJUST 'GAP' CLOSER THAN .040.