

CATALOG SUPPLEMENT "I"

WITH
NEW PARTS & UNITS



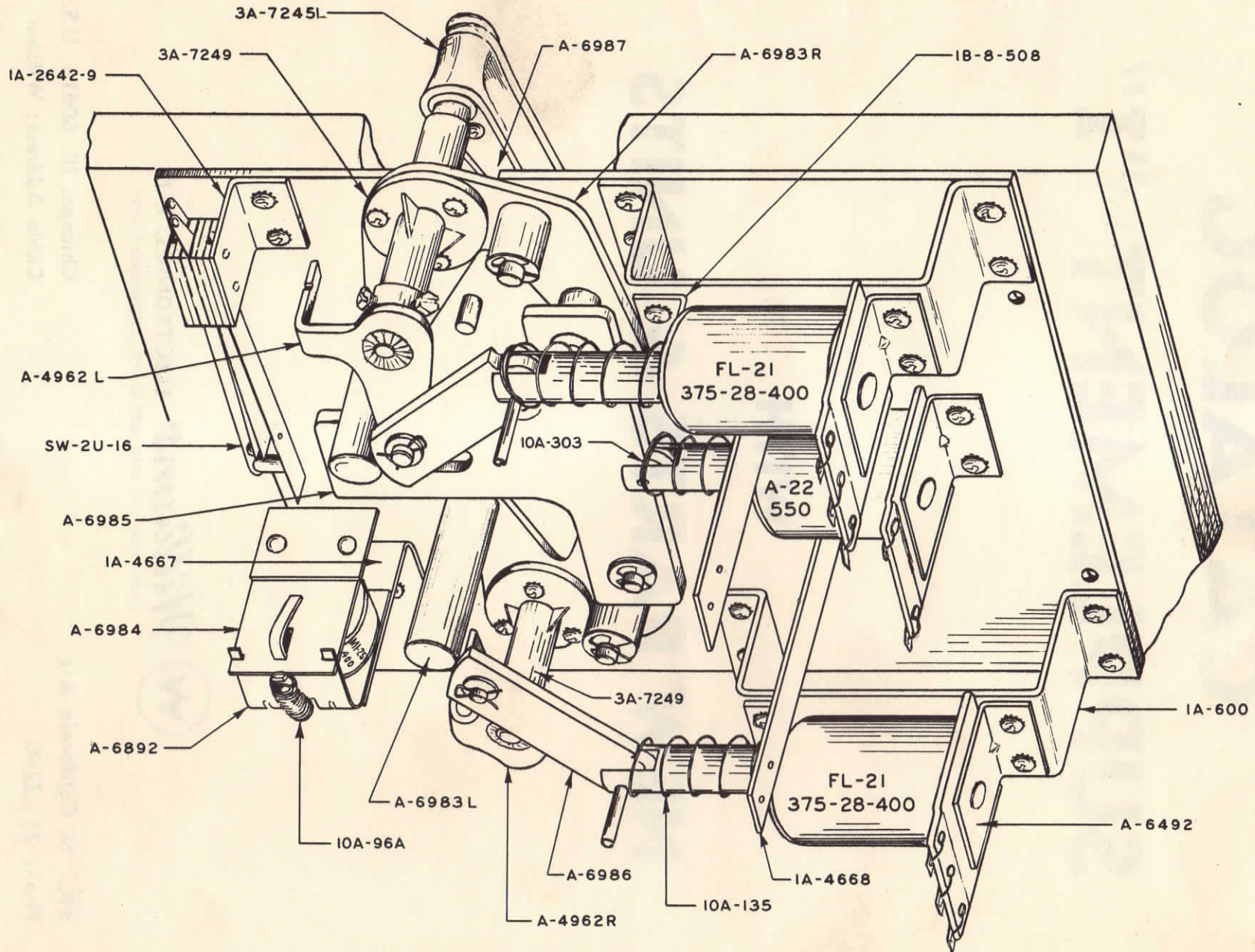
Williams[®] ELECTRONICS, INC.

SUBSIDIARY OF THE SEEBURG CORPORATION

3401 N. California Ave.
Phone 267-2240

Chicago, Ill. 60618, U.S.A.
Cable Address: Wilcoin

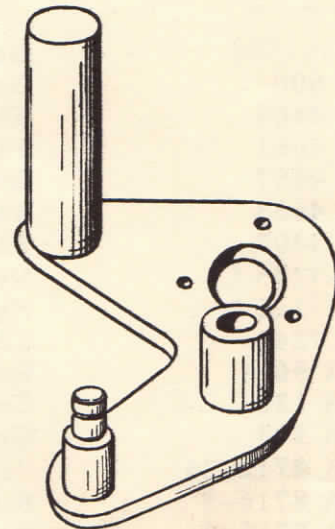
"CLOSING FLIPPER ACTION"
COMPLETE UNIT D-6988



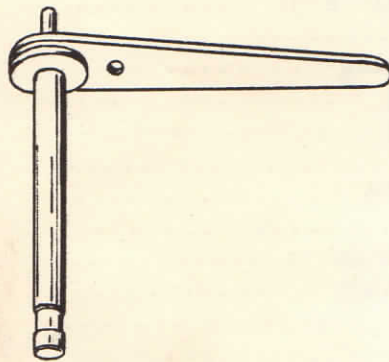
"CLOSING FLIPPER ACTION" PARTS



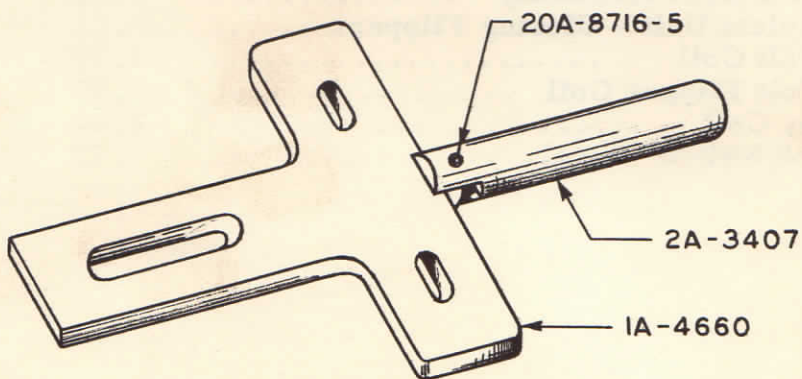
3A-7245 L
OR
3A-7245 R



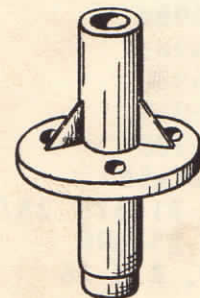
A-6983 L
OR
A-6983 R



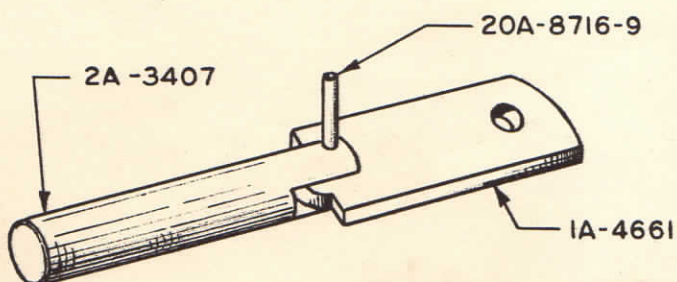
A-6987



A-6985



3A-7249



A-6986



10A-303



10A-135

PRICE LIST

ARRANGED IN NUMERICAL ORDER

<u>Part No.</u>	<u>Description</u>	<u>Price</u>
1 B-8-508	Coil Bracket22
1 A 600	Coil Mounting Bracket54
1 A 4660	Flipper Locking Link94
1 A 4661	Flipper Link22
1 A 4667	Relay Mounting Bracket12
1 A 4668	Switch Mounting Bracket44
2 A 3407	Flipper Solenoid Plunger72
3 A 7245 L	Nylon Flipper (Large "F")24
3 A 7245 R	Nylon Flipper (Small "F")24
3 A 7249	Flipper Bushing28
10 A 96 A	Relay Armature Spring06
10 A 135	Compression Spring08
10 A 303	Compression Spring14
20 A 8712-25	"E" Retaining Ring05
20 A 8716-5	Roll Pin 1/8 x 7/1604
20 A 8716-9	Roll Pin 1/8 x 1"04
A 4962 L	Flipper Pawl Assembly	1.28
A 4962 R	Flipper Pawl Assembly	1.28
A 6492	Coil Stop Assembly74
A 6892	Relay Frame	1.06
A 6983 L	Pivot Arm Assembly	1.42
A 6983 R	Pivot Arm Assembly	1.42
A 6984	Relay Armature Assembly42
A 6985	Plunger & Link Assembly	1.54
A 6986	Plunger & Link Assembly84
A 6987	Shaft & Base Assembly	1.08
D 6988	Complete Unit - Closing Flippers	44.22
A 22-550	24 Volt Coil	2.20
FL 21-375 28/400	24 Volt Flipper Coil	2.90
M1 25-400	Relay Coil	2.00
SW. 2 U-16	Break Switch72