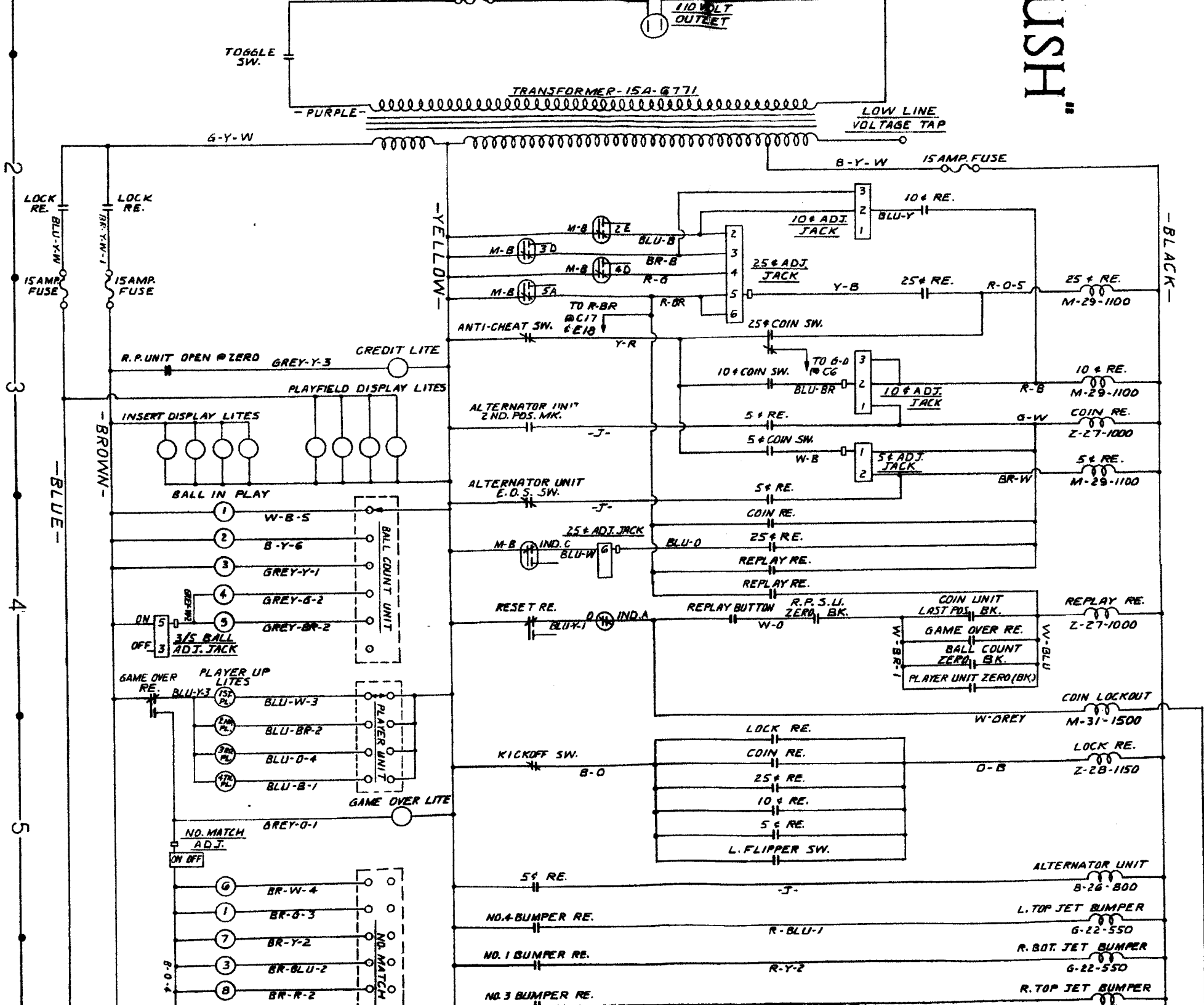
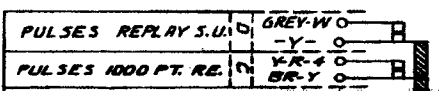
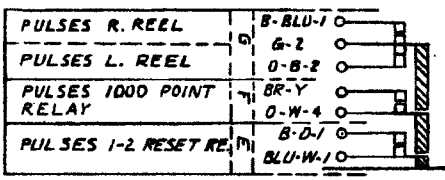
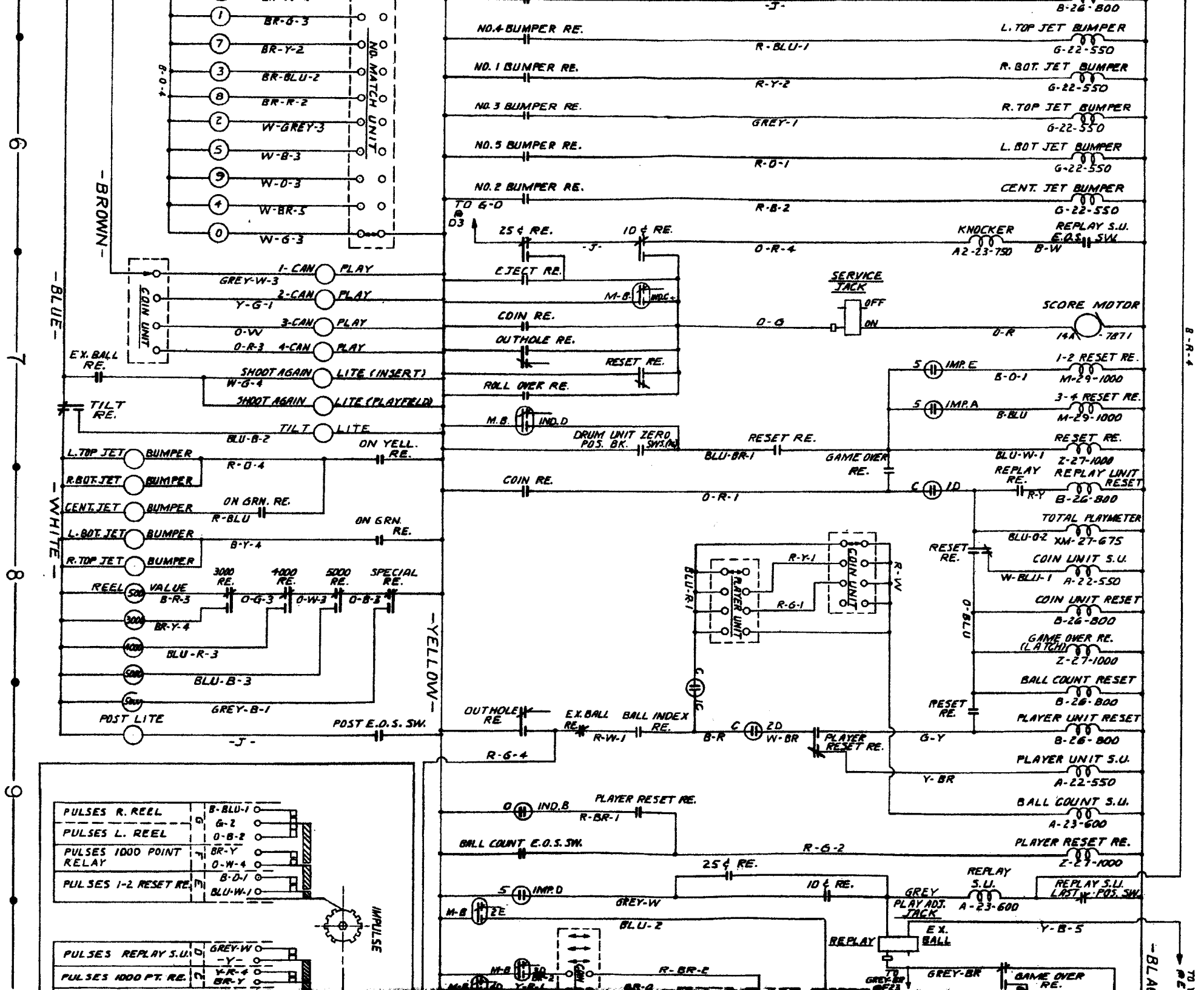


JSH

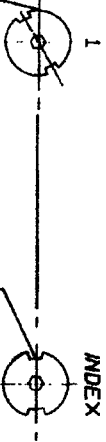
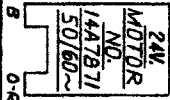
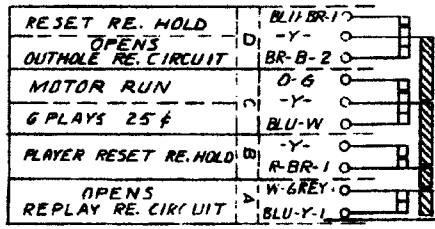
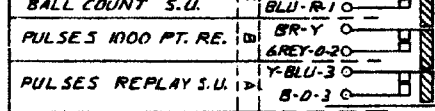




B-26-4

B-26-1

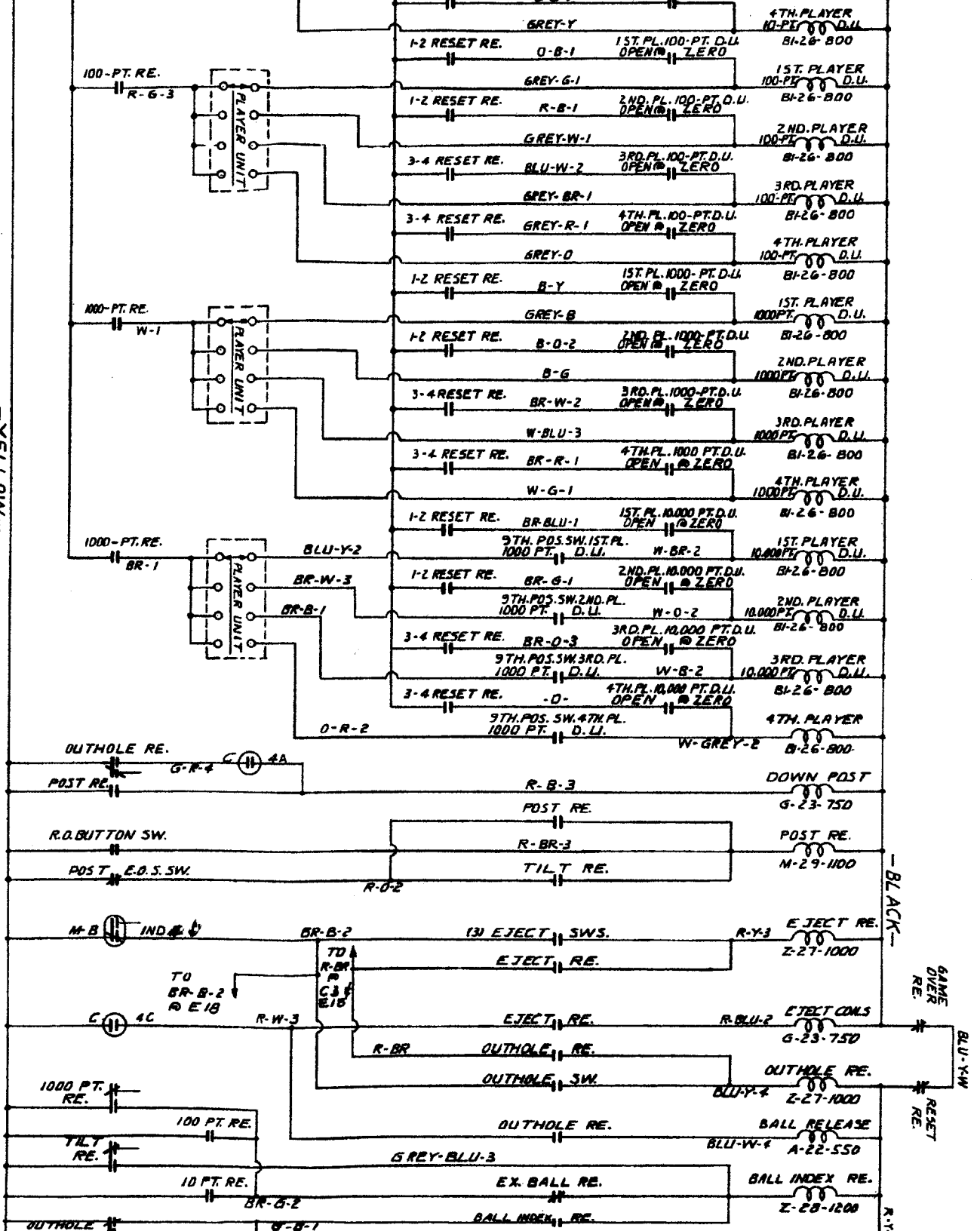
14
15
16
17
18



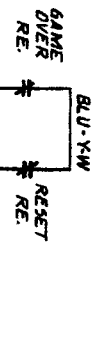
NO.	ABBREVIATIONS	S.U. STEP UP
ADJ.	ADJUSTMENT	
ADV.	ADVANCE	
AMP.	AMPERE	SW. SWITCHES
BOT.	BOTTOM	V. VOLT
BR.	BREAK	
C.	CLOSE	
CENT.	CENTER	
D.U.	DRUM UNIT	
E.O.S.	END OF STROKE	
EX.	EXTRA	
HI.	HIGH	
IMP.	IMPULSE	
IND.	INDEX	
J.	JUMPER	
L.	LEFT	
M.B.	MAKE BREAK	
MK.	MAKE	
NO.	NUMBER	
O.	OPEN	
PL.	PLAYER	
PT.	POINT	
POS.	POSITION	
R.	RIGHT	
RE.	RELAY	
R.R.	REPLAY	
R.D.	ROLL OVER	

COIL LOCAL	DESCRIPTION	NO.
F5	ALTERNATOR UNIT	F5
F9	BALL COUNT RESET	F9
F8	BALL COUNT S.U.	F8
F10	BALL RELEASE	F10
F11	CENT. JET BUMPER	F11
F12	CENT. REEL	F12
F13	COIN LOCKOUT	F13
F4	COIN UNIT RESET	F4
F8	COIN UNIT S.U.	F8
F16	DOWN POST	F16
F17	EJECT COILS	F17
F18	1ST. PLAYER 100 PT. D.U.	F18
F19	2ND. PLAYER 100 PT. D.U.	F19
F20	3RD. PLAYER 100 PT. D.U.	F20
F21	4TH. PLAYER 100 PT. D.U.	F21
F22	1ST. PLAYER 1000 PT. D.U.	F22
F23	2ND. PLAYER 1000 PT. D.U.	F23
F24	3RD. PLAYER 1000 PT. D.U.	F24
F25	4TH. PLAYER 1000 PT. D.U.	F25
F26	1ST. PLAYER 10000 PT. D.U.	F26
F27	2ND. PLAYER 10000 PT. D.U.	F27
F28	3RD. PLAYER 10000 PT. D.U.	F28

-YELLOW-



-BLACK-



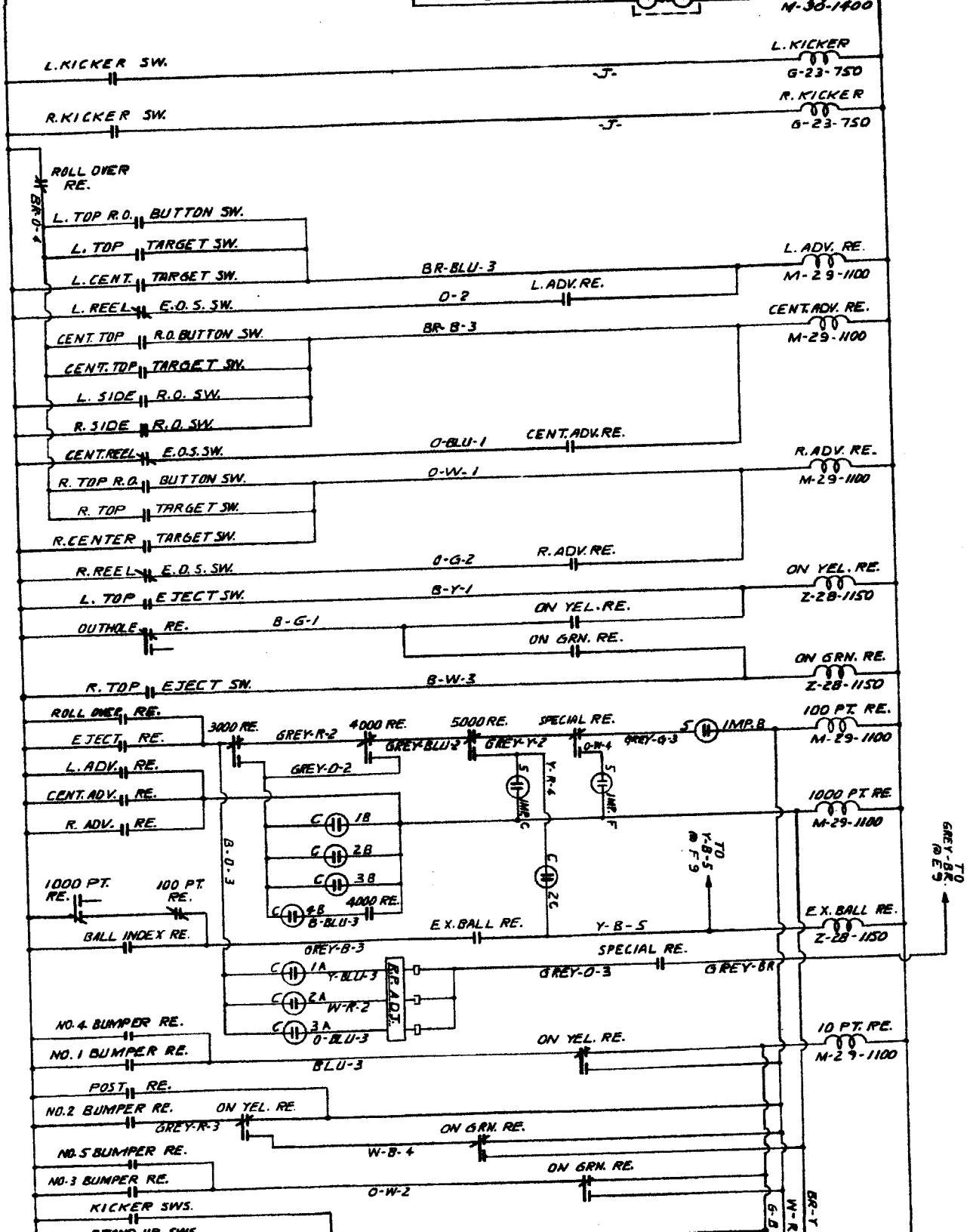
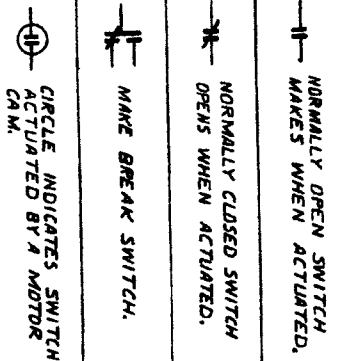
LOCATION		
F10	TILT RE.	F18
F19	10 PT. RE.	F24
F21	100 PT. RE.	F23
F3	1000 PT. RE.	F23
F17	3000 RE.	F19
F23	4000 RE.	F19
F3	5000 RE.	F20
F3	ROLL OVER RE.	F19
F3	NO. 4 BUMPER RE.	F27
F3	NO. 5 BUMPER RE.	F27
F28		
F21		
F5		
F26		
F26		
F24		
F22		
F18		
F7		
F7		
F9		
F17		
F4		
F7		
F20		

ALL INTERLOCK RELAYS ARE SHOWN IN LATCHED POSITION.

WIRE COLOR CODE		
RED	R	BROWN
BLUE	BLU	ORANGE
YELLOW	Y	BLACK
GREEN	G	GREY
WHITE	W	

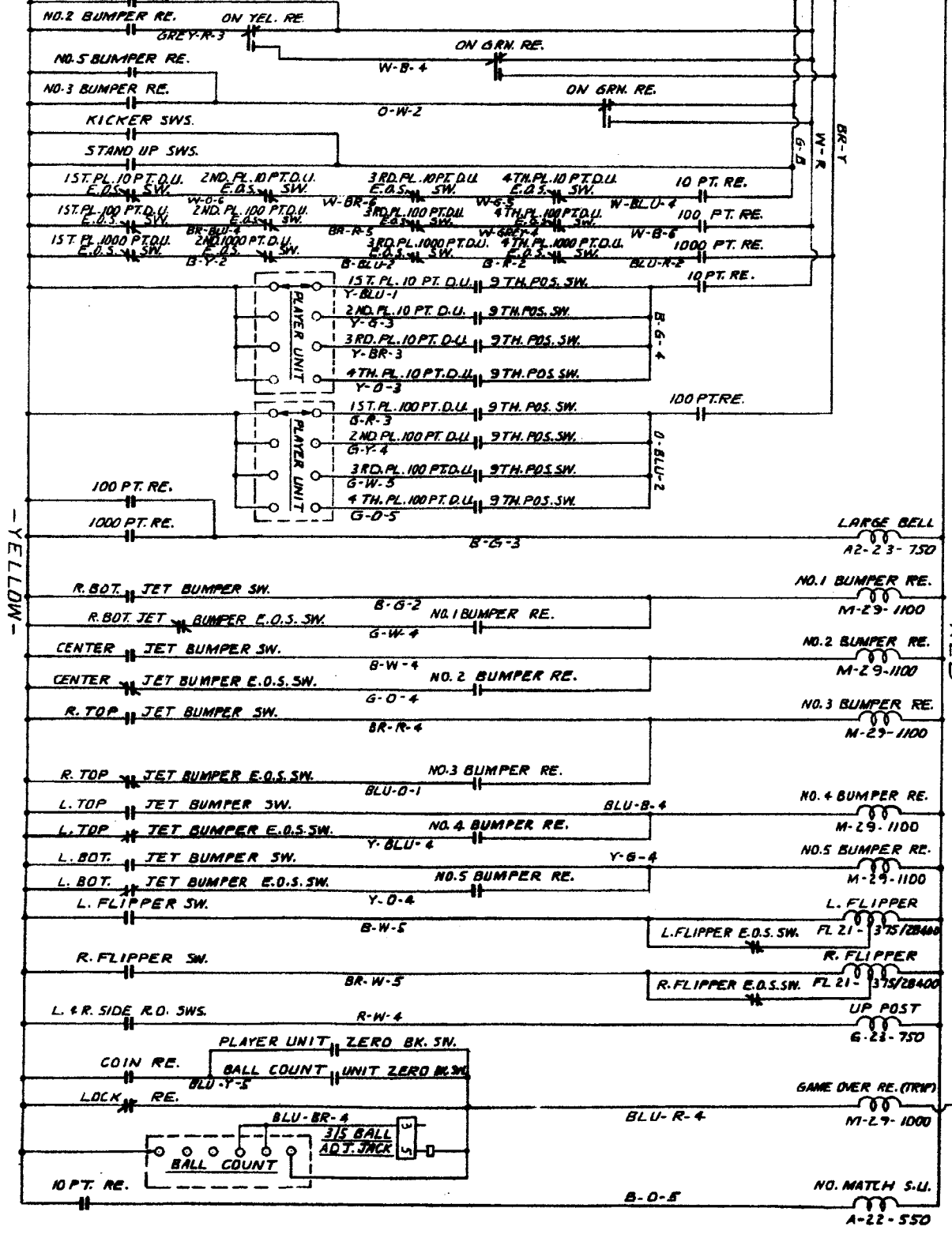
EXAMPLE: W-R INDICATES WHITE WIRE WITH A RED TRACER AND USED A SECOND TIME.

SWITCH SYMBOLS



20
21
22
23
24

24
25
26
27
28



RED

TO BLACK