

# CATALOG SUPPLEMENT "W-W"

WITH  
NEW PARTS & UNITS

FOR  
FAN-TAS-TIC



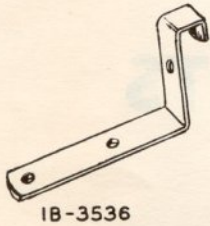
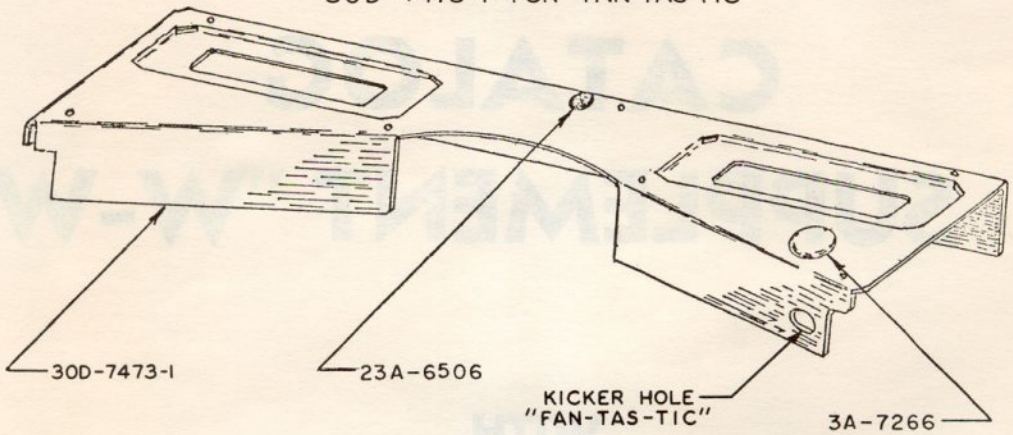
*Williams*<sup>®</sup> ELECTRONICS, INC.  
SUBSIDIARY OF THE SEEBURG CORPORATION

3401 N. California Ave.  
Phone 267-2240

Chicago, Ill. 60618, U.S.A.  
Cable Address: Wilcoin

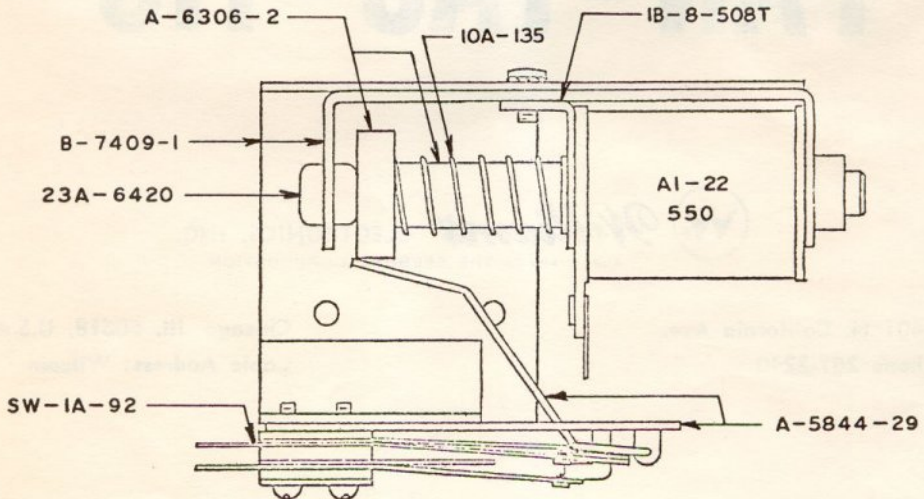
# PLAYFIELD BOTTOM ARCH

30D-7473-1 - FOR "FAN-TAS-TIC"



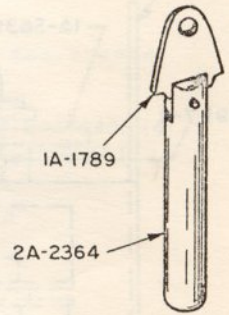
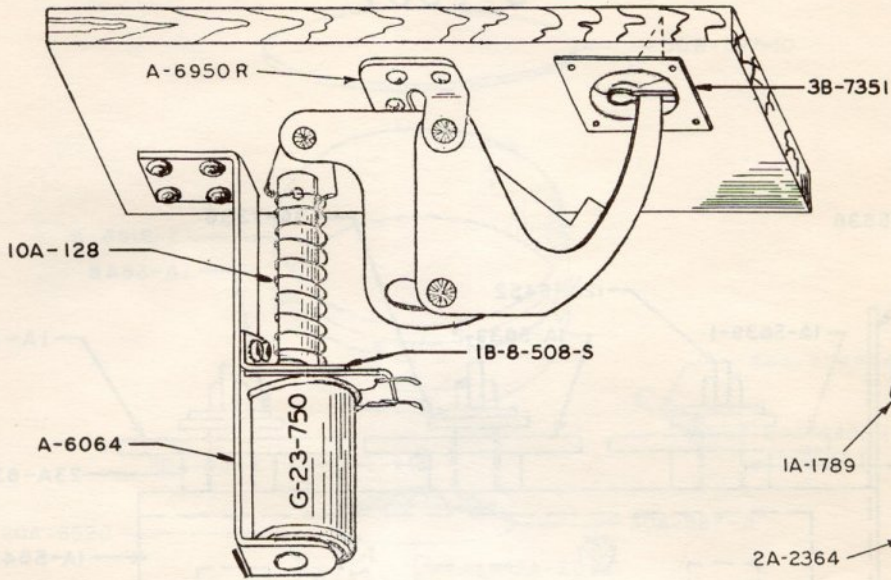
# A-6376-2 KICKER ASSEMBLY

FOR USE ON "FAN-TAS-TIC"



# BALL EJECT CAM UNIT

B-7472-I L&R  
ON "FAN-TAS-TIC"



A-5103

B-7472-IR WHEN USED ON RIGHT SIDE OF PLAYFIELD

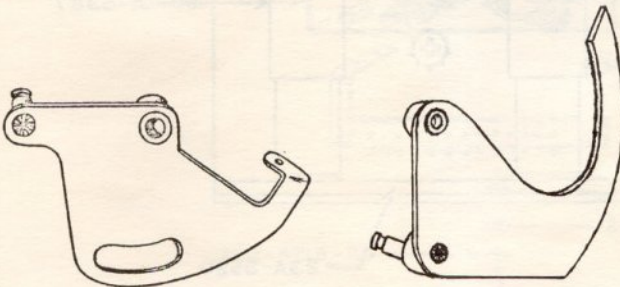
B-7472-IL WHEN USED ON LEFT SIDE OF PLAYFIELD



10A-199

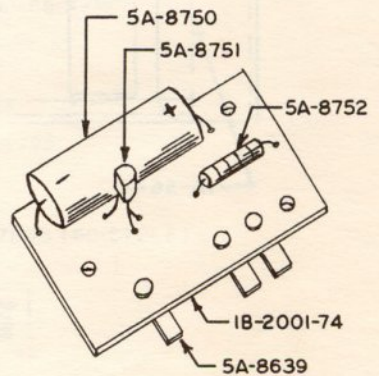
## ELECTRONIC DELAY TIMER

A-7479



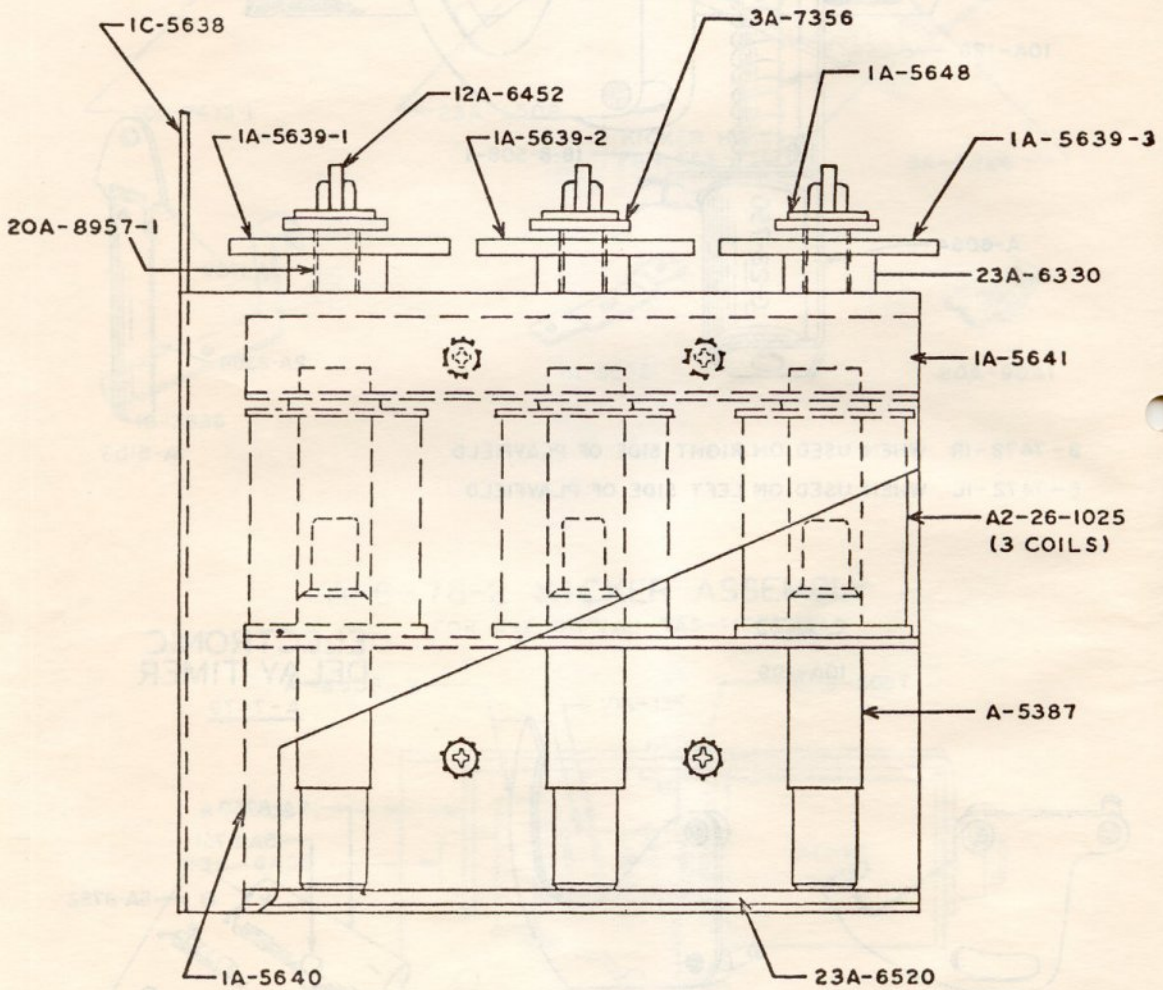
A-6949 R  
OR  
A-6949 L

A-7471-R  
OR  
A-7471-L

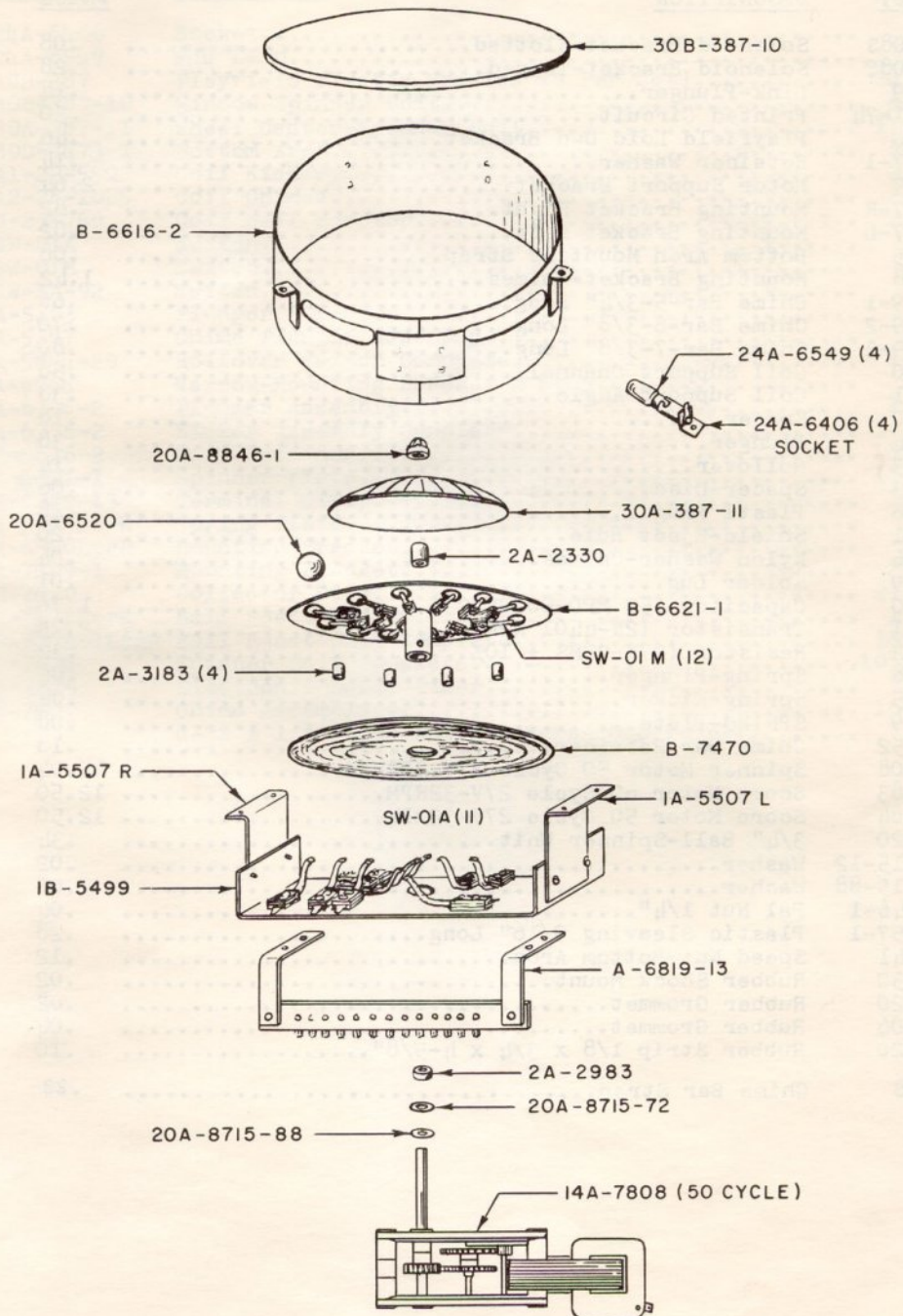


# (NEW) CHIME ASS'Y.

## C-7507



# C-7474 COMPLETE SPINNER UNIT WITH MOTOR & COMPONENTS



PRICE LIST

ARRANGED IN NUMERICAL ORDER

<u>PART NO.</u>	<u>DESCRIPTION</u>	<u>PRICE</u>
1B-8-508S	Solenoid Bracket-Slotted.....	.08
1B-8-508T	Solenoid Bracket-Tapped.....	.28
1A-1789	Link-Plunger.....	.14
1B-2001-74	Printed Circuit.....	.50
1B-3536	Playfield Hold Own Bracket.....	.46
1A-3727-1	Retainer Washer.....	.14
1B-5499	Motor Support Bracket.....	2.64
1A-5507-R	Mounting Bracket Right.....	.82
1A-5507-L	Mounting Bracket Left.....	.82
1A-5575	Bottom Arch Mounting Strap.....	.08
1C-5638	Mounting Bracket-Chimes.....	1.42
1A-5639-1	Chime Bar-5-3/4" Long.....	.66
1A-5639-2	Chime Bar-6-3/8" Long.....	.70
1A-5639-3	Chime Bar-7-3/8" Long.....	.80
1A-5640	Coil Support Channel.....	.58
1A-5641	Coil Support Angle.....	.38
2A-2330	Spacer.....	.18
2A-2364	Plunger.....	.38
2A-2983	Rollover.....	.14
2A-3183	Spacer-Disc.....;	.06
3A-7266	Plasti Plug.....	.18
3B-7351	Shield-Eject Hole.....	.20
3A-7356	Nylon Washer-Chimes.....	.04
5A-8639	Solder Lug.....	.01
5A-8750	Capacitor (50 MFD-50 WVDC).....	1.76
5A-8751	Transistor (2N-4401 NPN).....	2.75
5A-8752	Resistor (27K-OHMS + 10%).....	.32
10A-128	Spring-Plunger.....	.04
10A-135	Spring-Kicker.....	.04
10A-199	SPRING-Plate.....	.08
12A-6452	Chime Bar Retainer.....	.18
14A-7808	Spinner Motor 50 Cycle-27V-200RPM.....	15.04
14A-7883	Score Motor 60 Cycle 27V-32RPM.....	12.50
14A-7884	Score Motor 50 Cycle 27V-32RPM.....	12.50
20A-6520	3/4" Ball-Spinner Unit.....	.34
20A-8715-12	Washer.....	.02
20A-8715-88	Washer.....	.06
20A-8846-1	Pal Nut 1/4".....	.04
20A-8957-1	Plastic Sleeving 9/16" Long.....	.28
20A-9041	Speed Nut-Bottom Arch.....	.12
23A-6330	Rubber Shock Mount.....	.02
23A-6420	Rubber Grommet.....	.02
23A-6506	Rubber Grommet.....	.04
23A-6520	Rubber Strip 1/8 x 3/4 x 4-5/8".....	.10
1A-5648	Chime Bar Strap.....	.23