

CATALOG SUPPLEMENT "V-V-V"

WITH
NEW PARTS & UNITS

FOR

BIG DEAL



Williams[®] ELECTRONICS, INC.

A SUBSIDIARY OF

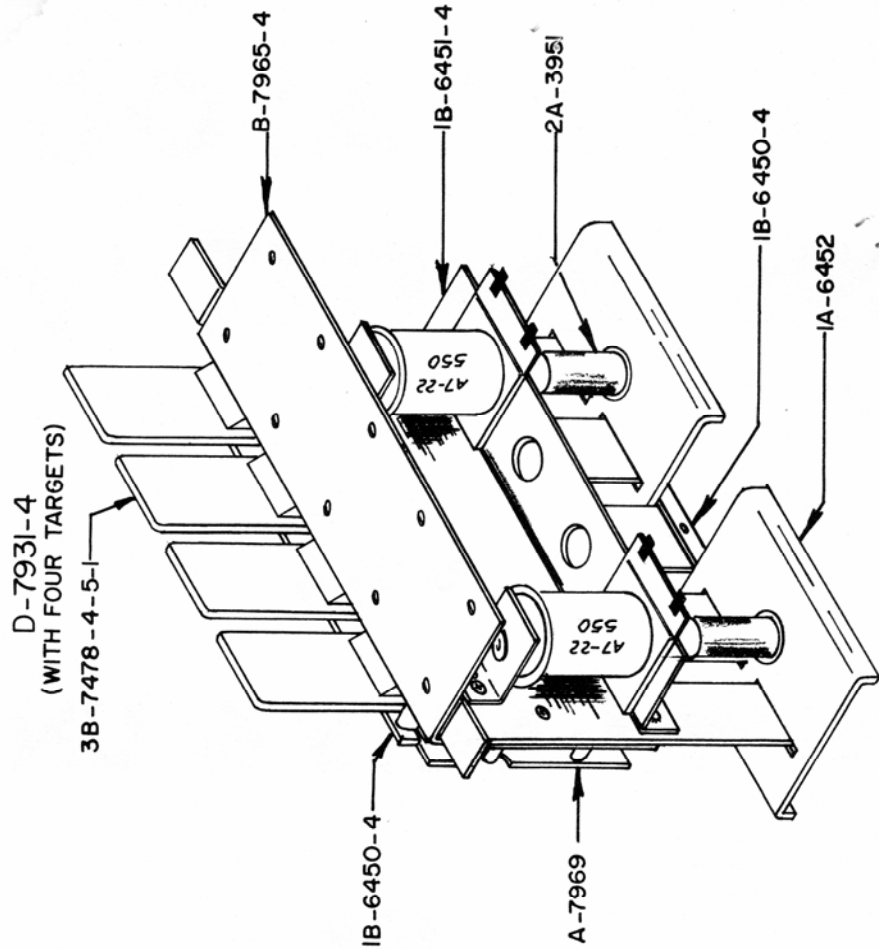
THE SEEBURG CORPORATION OF DELAWARE

3401 N. California Ave.
(312) 267-2240

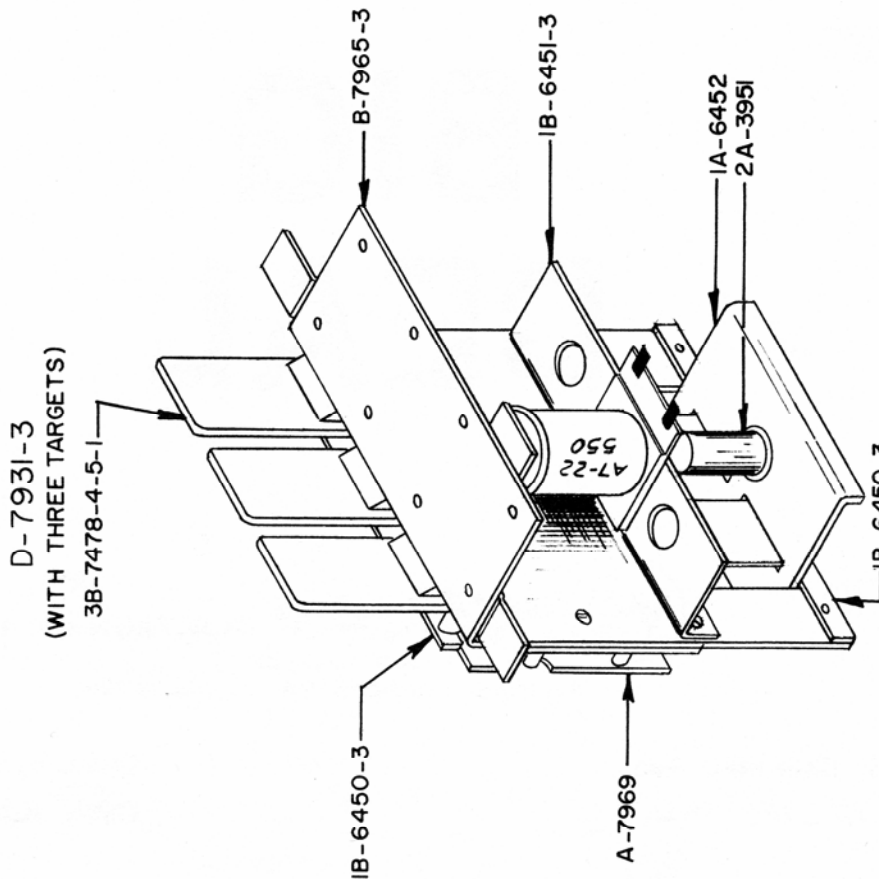
Chicago, Ill. 60618, U.S.A.
Cable Address: Wilcoin

DROP TARGET ASSEMBLIES

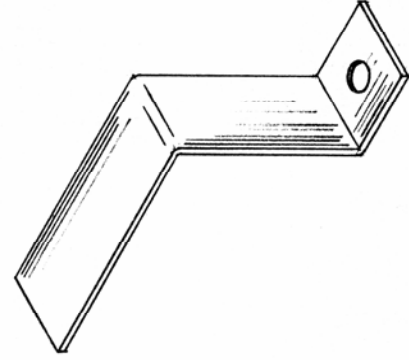
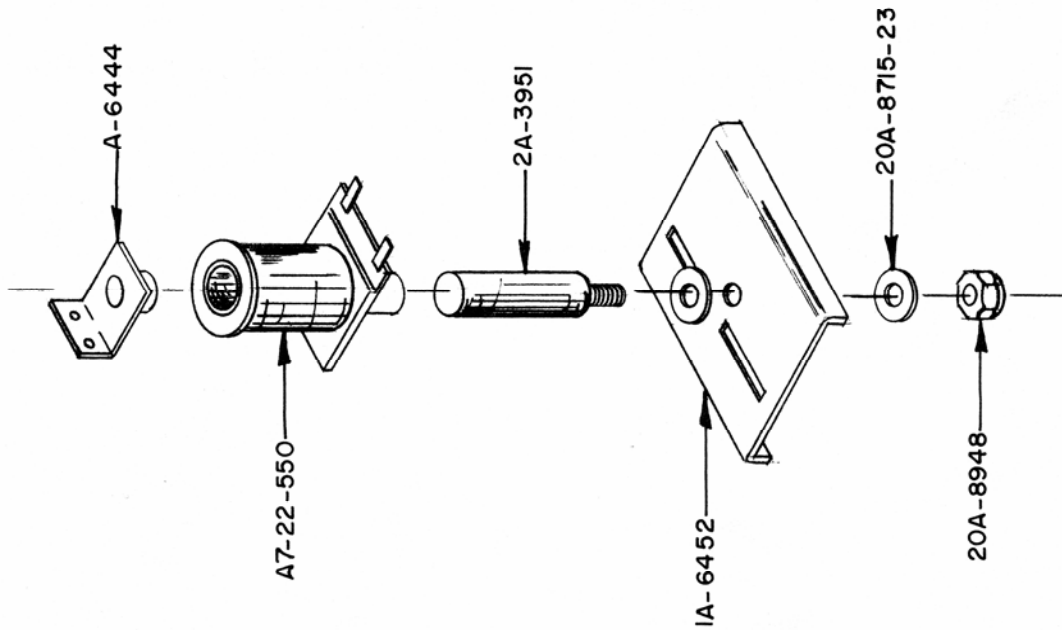
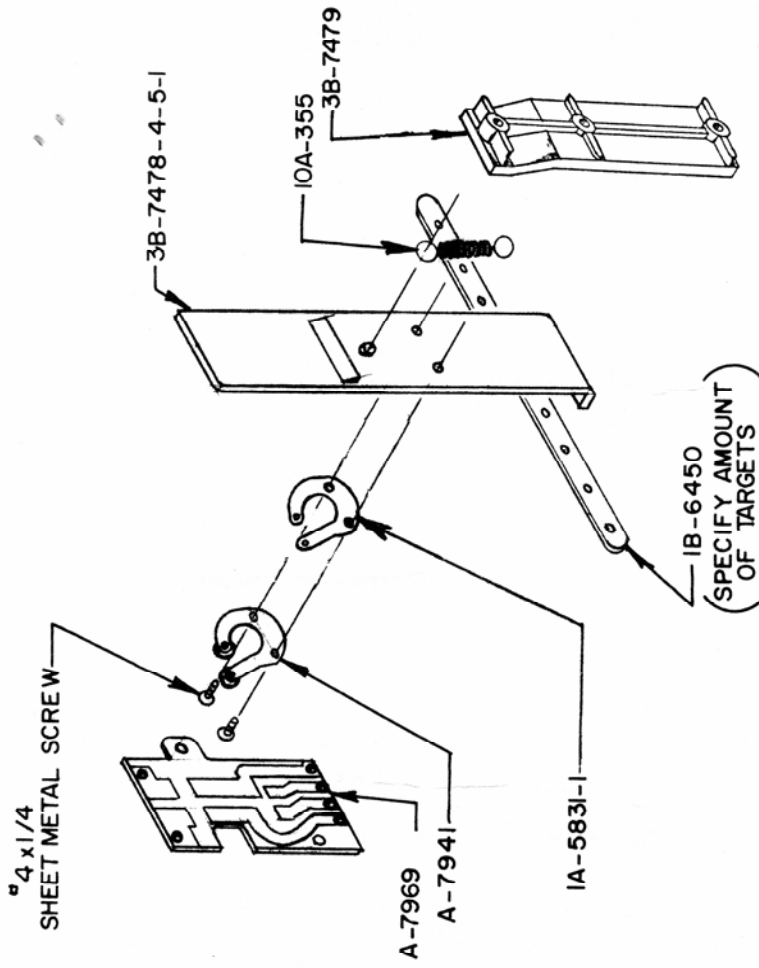
D-7931-3
(WITH THREE TARGETS)
3B-7478-4-5-1



D-7931-4
(WITH FOUR TARGETS)
3B-7478-4-5-1



DROP TARGET PARTS



IA-6471
 SUPPORT BRACKET

PRICE LIST

ARRANGED IN NUMERICAL ORDER

<u>PART NUMBER</u>	<u>DESCRIPTION</u>	<u>PRICE</u>
1A-5831-1	Contact ring.....	.24
1B-6450-3	Retaining strap for 3 targets.....	.50
1B-6450-4	Retaining strap for 4 targets.....	.64
1B-6451-3	Support bracket for coils-3 positions.....	.86
1B-6451-4	Support bracket for coils-4 positions.....	.98
1A-6452	Reset plate for coils.....	.82
1A-6471	Support bracket for playfield plastic.....	.16
2A-3951	Coil plunger.....	.46
3B-7478-4-5-1	Nylon drop target (Specify color and description).....	.30
3B-7479	Nylon guide for target.....	.20
10A-355	Spring.....	.12
20A-8715-23	Steel washer.....	.04
20A-8948	Elastic stop nut #10-32.....	.10
30C-471	Playfield plastics - set of 10.....	25.00
A-6444	Coil stop assembly (with rubber grommet).....	.90
D-7931-3	Drop target assembly complete (with three targets).....	22.50
D-7931-4	Drop target assembly complete (with four targets).....	34.00
A-7941	Contact ring assembly.....	.60
B-7965-3	Frame plate assembly for 3 targets.....	3.20
B-7965-4	Frame plate assembly for 4 targets.....	3.60
A-7969	Printed circuit assembly.....	1.70
A7-22-550	Coil assembly.....	3.00
	#4 x 1/4 Phillips pan head S.M. screw-type "A"..	.02