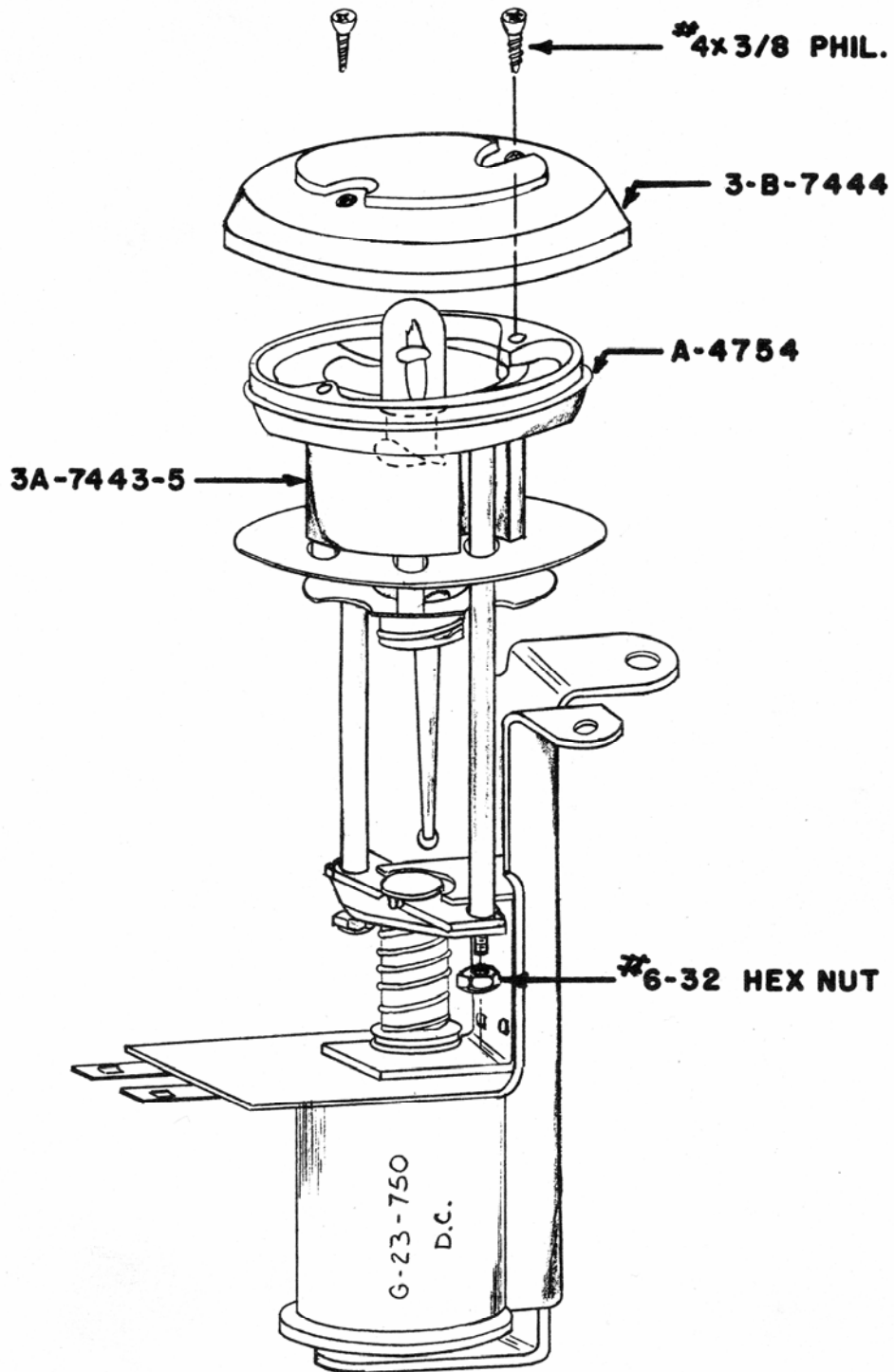


## B-7894

### **NEW STYLE JET BUMPER ASSEMBLY (WITH MORE EASILY REMOVABLE RODS AND RING)**



#### TO EASILY REPLACE METAL RING ASS'Y

1. REMOVE (2) 4X3/8 PHILLIPS SCREWS.
2. REMOVE BUMPER CAP (3-B-7444).
3. REMOVE (2) #6-32 HEX ELASTIC STOP NUTS.
4. PULL METAL RING ASS'Y (A-4754) UP AND OUT.
5. REPLACE METAL RING ASS'Y, NUTS, BUMPER CAP, AND SCREWS.