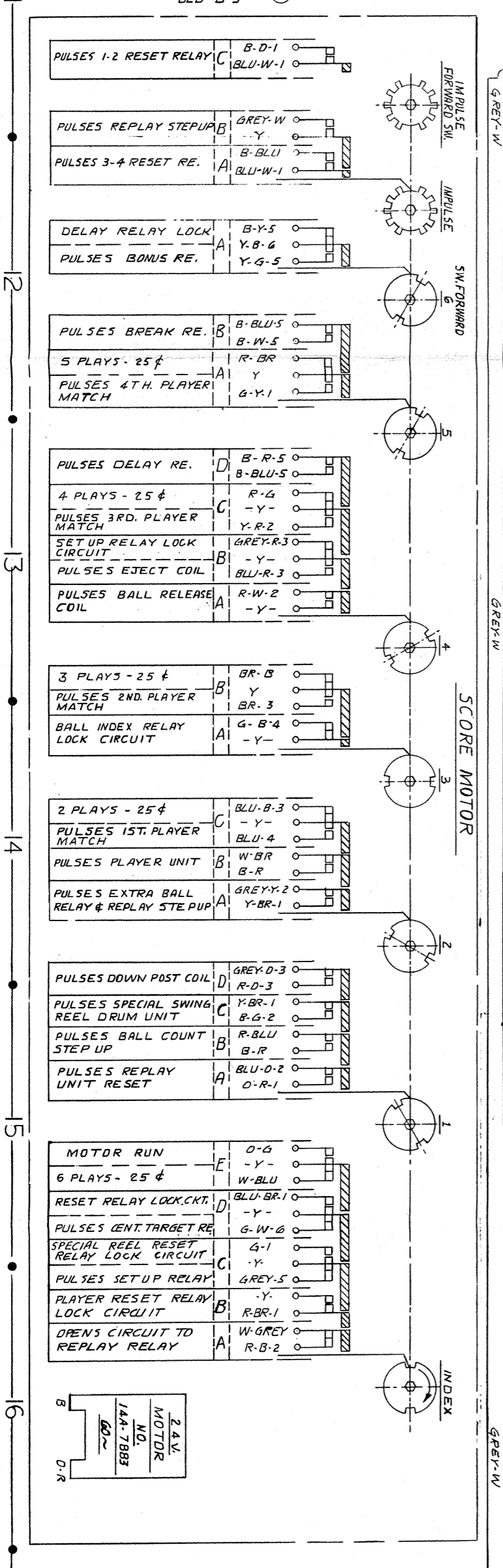


WILLIAMS ELECTRONICS INC. 3800 CALIFORNIA AVENUE AUGUST 1972 BR 010400

FUN-FEST 419



SCORING SYSTEMS

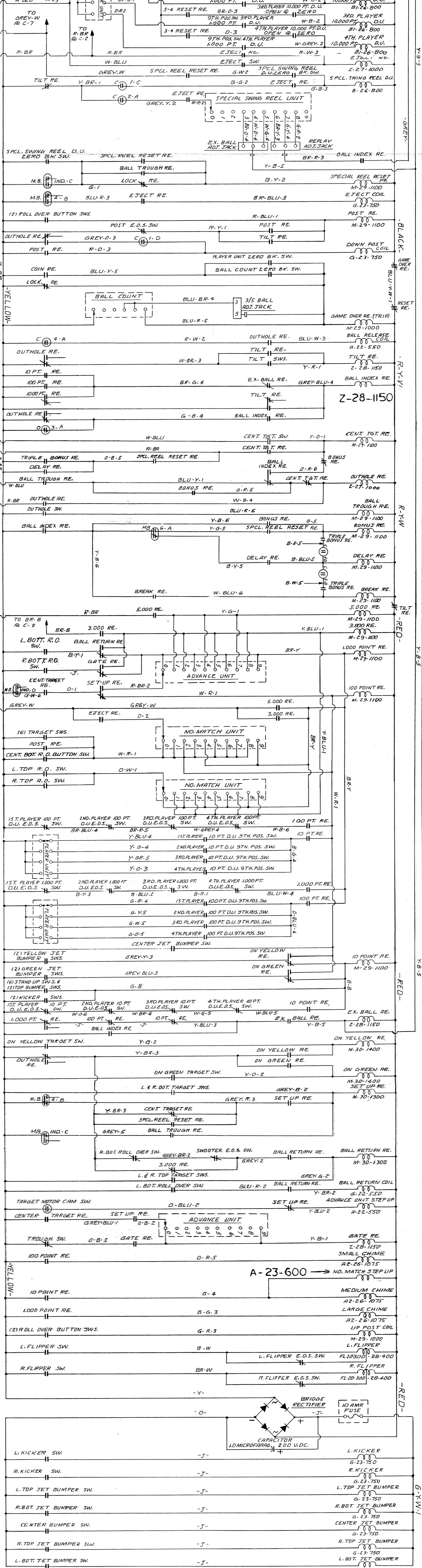
10 POINT RE. M-23-1000
 100 POINT RE. M-23-1100
 1000 POINT RE. M-23-1200
 10000 POINT RE. M-23-1300

SCORING SYSTEMS

10 POINT RE. M-23-1000
 100 POINT RE. M-23-1100
 1000 POINT RE. M-23-1200
 10000 POINT RE. M-23-1300

SCORING SYSTEMS

10 POINT RE. M-23-1000
 100 POINT RE. M-23-1100
 1000 POINT RE. M-23-1200
 10000 POINT RE. M-23-1300



419

REED-1
 REED-2
 REED-3
 REED-4
 REED-5
 REED-6
 REED-7
 REED-8
 REED-9
 REED-10
 REED-11
 REED-12
 REED-13
 REED-14
 REED-15
 REED-16
 REED-17
 REED-18
 REED-19
 REED-20
 REED-21
 REED-22
 REED-23
 REED-24

FUN-FEST 419