

CATALOG SUPPLEMENT "P-P-P"

WITH
NEW PARTS & UNITS

FOR
SPACE
MISSION



Williams[®] ELECTRONICS, INC.

A DIVISION OF
THE SEEBURG CORPORATION OF DELAWARE

3401 N. California Ave.
(312) 267-2240

JAN.
1976

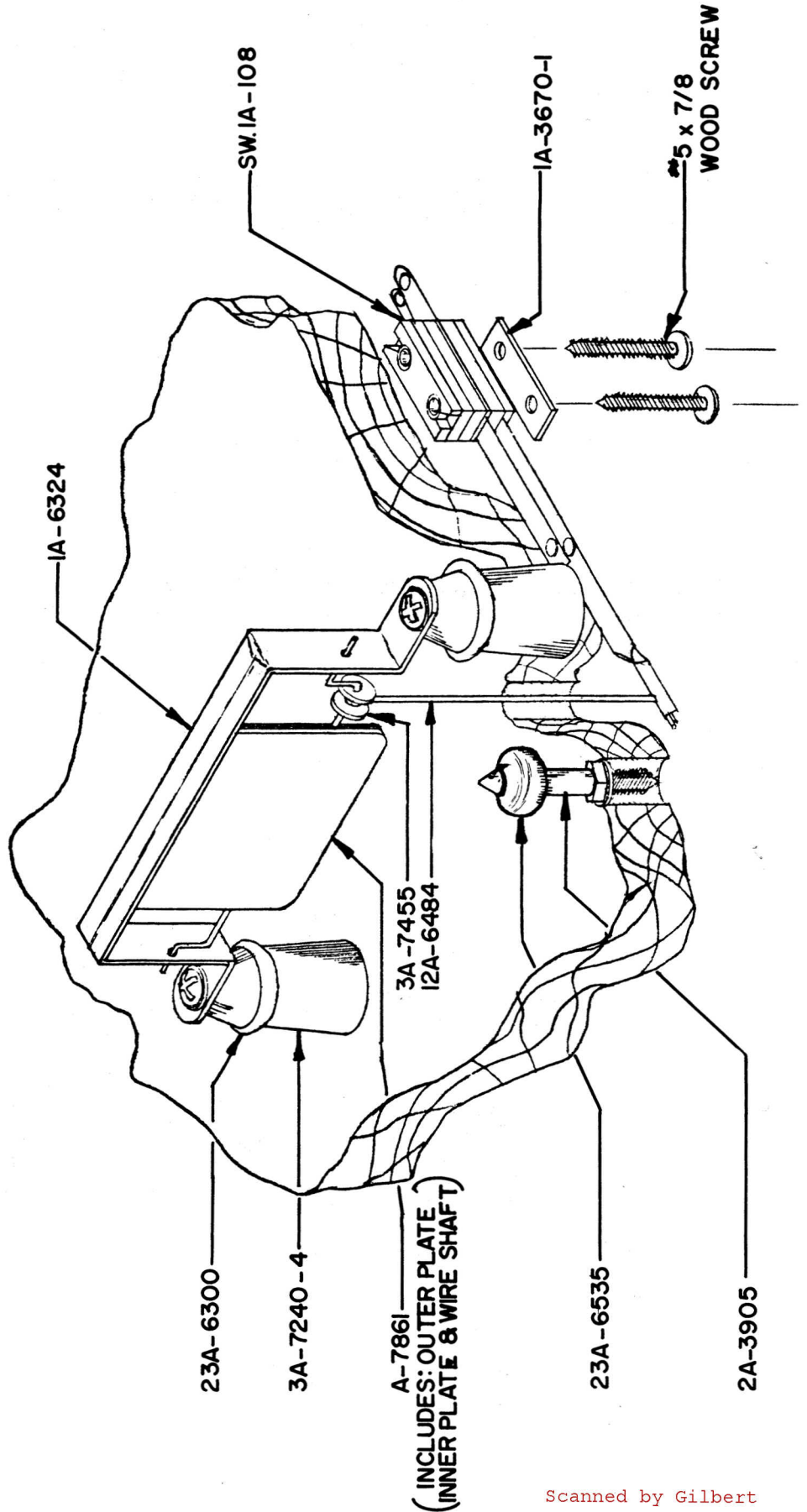
Chicago, Ill. 60618, U.S.A.
Cable Address: Wilcoin

Scanned by Gilbert

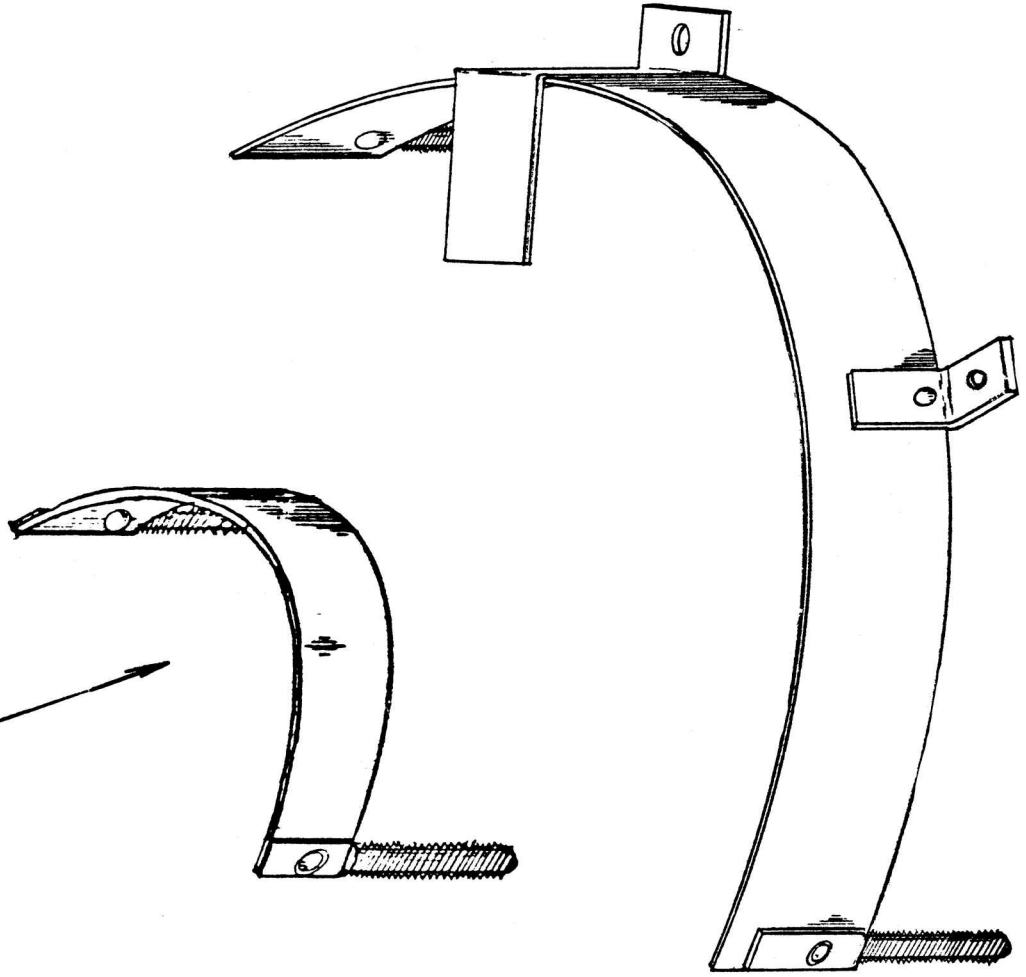
B-7875

SPINNING TARGET ASSEMBLY

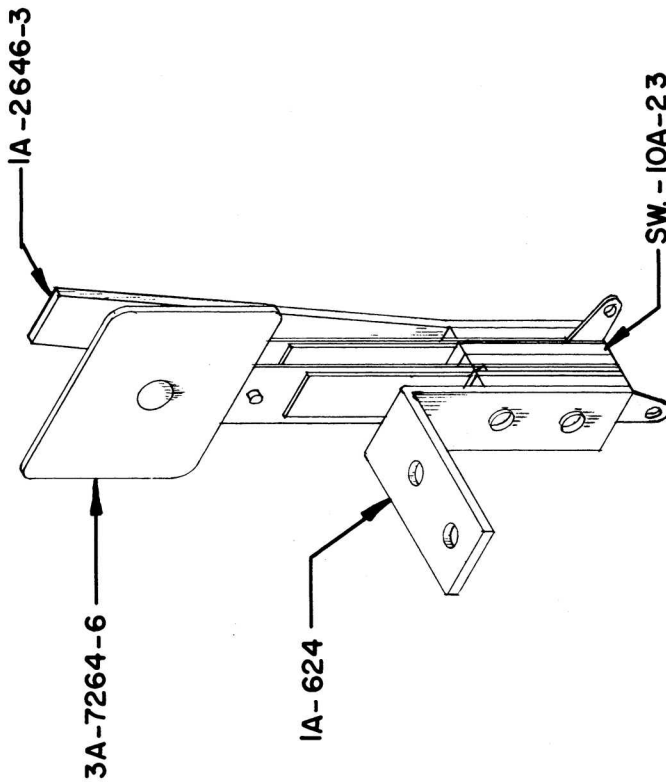
WHEN ORDERING A-7861 BE SURE TO SPECIFY NAME OF GAME.



A-7882
BALL GUIDE ASSEMBLY
(SMALL)



A-7890
STATIONARY TARGET



B-7883
BALL GUIDE ASSEMBLY
(LARGE)

PRICE LIST

ARRANGED IN NUMERICAL ORDER

<u>PART NUMBER</u>	<u>DESCRIPTION</u>	<u>PRICE</u>
1A-624	Mounting Bracket for Stationary Target.....	.10
1A-2646-3	Limit Bracket.....	.18
1A-3670-1	Tension Plate for Switch.....	.02
1A-6324	Mounting Bracket for Spinning Target.....	.36
2A-3905	Post for Rubber Bumper.....	.44
3A-7264-6	Yellow Plastic Target Stationary.....	.16
3A-7240-4	Red Plastic Post.....	.14
3A-7455	Nylon Washer.....	.20
10A-9	Spring for Swinging Target.....	.10
12A-6227	Hair Pin Clip.....	.02
12A-6484	Switch Actuating Wireform.....	.62
14A-7745	Motor for Swinging Target (50/60 Cycle).....	15.00
23A-6300	Rubber Ring (5/16 I.D.).....	.08
23A-6535	Rubber Bumper.....	.08
30C-464	Playfield Plastics (Set of 9).....	24.50
A-6038	Crank Hub Assembly.....	1.30
A-6039	Swinging Arm Assembly.....	2.00
A-6040	Drive Arm Assembly.....	1.70
A-6041-L	Mounting Plate Assembly.....	4.16
A-7455	Plastic Target with Switch Assembly.....	1.94
A-7861	Metal Target (With Wire Shaft) Assembly.....	3.40
B-7875	Spinning Target Assembly Complete (Does Not Include 3A-7240-4 or 23A-6300).....	8.50
A-7882	Ball Guide Assembly-Small.....	1.50
B-7883	Ball Guide Assembly-Large.....	4.20
A-7890	Stationary Target Assembly.....	2.60
B-7892	Swinging Target Assembly Complete.....	30.40
SW-1A-108	Switch - Used with Spinning Target.....	1.10
SW-10A-23	Switch - Used with Stationary Target.....	1.08
	#5 x 7/8 Wood Screw - Phillips Head.....	.04
	#8-32 x 3/8 Set Screw - Socket Head.....	.08